

32-Bit

Microcontroller

TC1782

32-Bit Single-Chip Microcontroller

Data Sheet

V 1.4.1 2014-05

Microcontrollers

Edition 2014-05

**Published by
Infineon Technologies AG
81726 Munich, Germany**

**© 2014 Infineon Technologies AG
All Rights Reserved.**

Legal Disclaimer

The information given in this document shall in no event be regarded as a guarantee of conditions or characteristics. With respect to any examples or hints given herein, any typical values stated herein and/or any information regarding the application of the device, Infineon Technologies hereby disclaims any and all warranties and liabilities of any kind, including without limitation, warranties of non-infringement of intellectual property rights of any third party.

Information

For further information on technology, delivery terms and conditions and prices, please contact the nearest Infineon Technologies Office (www.infineon.com).

Warnings

Due to technical requirements, components may contain dangerous substances. For information on the types in question, please contact the nearest Infineon Technologies Office.

Infineon Technologies components may be used in life-support devices or systems only with the express written approval of Infineon Technologies, if a failure of such components can reasonably be expected to cause the failure of that life-support device or system or to affect the safety or effectiveness of that device or system. Life support devices or systems are intended to be implanted in the human body or to support and/or maintain and sustain and/or protect human life. If they fail, it is reasonable to assume that the health of the user or other persons may be endangered.

32-Bit

Microcontroller

TC1782

32-Bit Single-Chip Microcontroller

Data Sheet

V 1.4.1 2014-05

Table of Contents

	Table of Contents	1-1
1	Summary of Features	1-1
2	System Overview of the TC1782	2-12
2.1	Block Diagrams	2-13
3	Pinning	3-16
3.1	TC1782 Pin Configuration	3-17
4	Identification Registers	4-42
5	Electrical Parameters	5-45
5.1	General Parameters	5-45
5.1.1	Parameter Interpretation	5-45
5.1.2	Pad Driver and Pad Classes Summary	5-46
5.1.3	Absolute Maximum Ratings	5-47
5.1.4	Pin Reliability in Overload	5-48
5.1.5	Operating Conditions	5-50
5.2	DC Parameters	5-59
5.2.1	Input/Output Pins	5-59
5.2.2	Analog to Digital Converters (ADCx)	5-74
5.2.3	Fast Analog to Digital Converter (FADC)	5-80
5.2.4	Oscillator Pins	5-85
5.2.5	Temperature Sensor	5-86
5.2.6	Power Supply Current	5-87
5.2.6.1	Calculating the 1.3 V Current Consumption	5-91
5.3	AC Parameters	5-92
5.3.1	Testing Waveforms	5-92
5.3.2	Power Sequencing	5-93
5.3.3	Power, Pad and Reset Timing	5-96
5.3.4	Phase Locked Loop (PLL)	5-99
5.3.5	ERAY Phase Locked Loop (ERAY_PLL)	5-101
5.3.6	JTAG Interface Timing	5-102
5.3.7	DAP Interface Timing	5-104
5.3.8	Peripheral Timings	5-106
5.3.8.1	Micro Link Interface (MLI) Timing	5-106
5.3.8.2	Micro Second Channel (MSC) Interface Timing	5-108
5.3.8.3	SSC Master/Slave Mode Timing	5-110
5.3.8.4	ERAY Interface Timing	5-112
5.4	Package and Reliability	5-114
5.4.1	Package Parameters	5-114
5.4.2	Package Outline	5-115

5.4.3	Flash Memory Parameters	5-115
5.4.4	Quality Declarations	5-117
6	History	6-119

1 Summary of Features

The **SAK-TC1782F-320F180HR / SAK-TC1782F-320F180HL** has the following features:

- High-performance 32-bit super-scalar TriCore V1.3.1 CPU with 4-stage pipeline
 - Superior real-time performance
 - Strong bit handling
 - Fully integrated DSP capabilities
 - Single precision Floating Point Unit (FPU)
 - 180 MHz operation at full temperature range
- 32-bit Peripheral Control Processor with single cycle instruction (PCP2)
 - 16 Kbyte Parameter Memory (PRAM)
 - 32 Kbyte Code Memory (CMEM)
 - 180 MHz operation at full temperature range
- Multiple on-chip memories
 - 2.5 Mbyte Program Flash Memory (PFLASH) with ECC
 - 128 Kbyte Data Flash Memory (DFLASH) usable for EEPROM emulation
 - 128 Kbyte Data Memory (LDRAM)
 - Instruction Cache: up to 16 Kbyte (ICACHE, configurable)
 - 40 Kbyte Code Scratchpad Memory (SPRAM)
 - Data Cache: up to 4 Kbyte (DCACHE, configurable)
 - 8 Kbyte Overlay Memory (OVRAM)
 - 16 Kbyte BootROM (BROM)
- 16-Channel DMA Controller
- Sophisticated interrupt system with 2×255 hardware priority arbitration levels serviced by CPU or PCP2
- High performing on-chip bus structure
 - 64-bit Local Memory Buses between CPU, Flash and Data Memory
 - 32-bit System Peripheral Bus (SPB) for on-chip peripheral and functional units
 - One bus bridge (LFI Bridge)
- Versatile On-chip Peripheral Units
 - Two Asynchronous/Synchronous Serial Channels (ASC) with baud rate generator, parity, framing and overrun error detection
 - Three High-Speed Synchronous Serial Channels (SSC) with programmable data length and shift direction
 - One serial Micro Second Bus interface (MSC) for serial port expansion to external power devices
 - One High-Speed Micro Link interface (MLI) for serial inter-processor communication
 - One MultiCAN Module with 3 CAN nodes and 128 free assignable message objects for high efficiency data handling via FIFO buffering and gateway data transfer (one CAN node supports TTCAN functionality)
 - One FlexRay™ module with 2 channels (E-Ray).

Summary of Features

- One General Purpose Timer Array Module (GPTA) with additional Local Timer Cell Array (LTCA2) providing a powerful set of digital signal filtering and timer functionality to realize autonomous and complex Input/Output management
- 32 analog input lines for ADC
 - 2 independent kernels (ADC0 and ADC1)
 - Analog supply voltage range from 3.3 V to 5 V (single supply)
- 4 different FADC input channels
 - channels with impedance control and overlaid with ADC1 inputs
 - Extreme fast conversion, 21 cycles of f_{FADC} clock
 - 10-bit A/D conversion (higher resolution can be achieved by averaging of consecutive conversions in digital data reduction filter)
- 86 digital general purpose I/O lines (GPIO), 4 input lines
- Digital I/O ports with 3.3 V capability
- On-chip debug support for OCDS Level 1 (CPU, PCP, DMA, On Chip Bus)
- Dedicated Emulation Device chip available (TC1782ED)
 - multi-core debugging, real time tracing, and calibration
 - four/five wire JTAG (IEEE 1149.1) or two wire DAP (Device Access Port) interface
- Power Management System
- Clock Generation Unit with PLL

Summary of Features

The **SAK-TC1782N-320F180HR / SAK-TC1782N-320F180HL** has the following features:

- High-performance 32-bit super-scalar TriCore V1.3.1 CPU with 4-stage pipeline
 - Superior real-time performance
 - Strong bit handling
 - Fully integrated DSP capabilities
 - Single precision Floating Point Unit (FPU)
 - 180 MHz operation at full temperature range
- 32-bit Peripheral Control Processor with single cycle instruction (PCP2)
 - 16 Kbyte Parameter Memory (PRAM)
 - 32 Kbyte Code Memory (CMEM)
 - 180 MHz operation at full temperature range
- Multiple on-chip memories
 - 2.5 Mbyte Program Flash Memory (PFLASH) with ECC
 - 128 Kbyte Data Flash Memory (DFLASH) usable for EEPROM emulation
 - 128 Kbyte Data Memory (LDRAM)
 - Instruction Cache: up to 16 Kbyte (ICACHE, configurable)
 - 40 Kbyte Code Scratchpad Memory (SPRAM)
 - Data Cache: up to 4 Kbyte (DCACHE, configurable)
 - 8 Kbyte Overlay Memory (OVRAM)
 - 16 Kbyte BootROM (BROM)
- 16-Channel DMA Controller
- Sophisticated interrupt system with 2×255 hardware priority arbitration levels serviced by CPU or PCP2
- High performing on-chip bus structure
 - 64-bit Local Memory Buses between CPU, Flash and Data Memory
 - 32-bit System Peripheral Bus (SPB) for on-chip peripheral and functional units
 - One bus bridge (LFI Bridge)
- Versatile On-chip Peripheral Units
 - Two Asynchronous/Synchronous Serial Channels (ASC) with baud rate generator, parity, framing and overrun error detection
 - Three High-Speed Synchronous Serial Channels (SSC) with programmable data length and shift direction
 - One serial Micro Second Bus interface (MSC) for serial port expansion to external power devices
 - One High-Speed Micro Link interface (MLI) for serial inter-processor communication
 - One MultiCAN Module with 3 CAN nodes and 128 free assignable message objects for high efficiency data handling via FIFO buffering and gateway data transfer (one CAN node supports TTCAN functionality)

Summary of Features

- One General Purpose Timer Array Module (GPTA) with additional Local Timer Cell Array (LTCA2) providing a powerful set of digital signal filtering and timer functionality to realize autonomous and complex Input/Output management
- 32 analog input lines for ADC
 - 2 independent kernels (ADC0 and ADC1)
 - Analog supply voltage range from 3.3 V to 5 V (single supply)
- 4 different FADC input channels
 - channels with impedance control and overlaid with ADC1 inputs
 - Extreme fast conversion, 21 cycles of f_{FADC} clock
 - 10-bit A/D conversion (higher resolution can be achieved by averaging of consecutive conversions in digital data reduction filter)
- 86 digital general purpose I/O lines (GPIO), 4 input lines
- Digital I/O ports with 3.3 V capability
- On-chip debug support for OCDS Level 1 (CPU, PCP, DMA, On Chip Bus)
- Dedicated Emulation Device chip available (TC1782ED)
 - multi-core debugging, real time tracing, and calibration
 - four/five wire JTAG (IEEE 1149.1) or two wire DAP (Device Access Port) interface
- Power Management System
- Clock Generation Unit with PLL

Summary of Features

The **SAK-TC1782N-256F133HR / SAK-TC1782N-256F133HL** has the following features:

- High-performance 32-bit super-scalar TriCore V1.3.1 CPU with 4-stage pipeline
 - Superior real-time performance
 - Strong bit handling
 - Fully integrated DSP capabilities
 - Single precision Floating Point Unit (FPU)
 - 133 MHz operation at full temperature range
- 32-bit Peripheral Control Processor with single cycle instruction (PCP2)
 - 16 Kbyte Parameter Memory (PRAM)
 - 32 Kbyte Code Memory (CMEM)
 - 133 MHz operation at full temperature range
- Multiple on-chip memories
 - 2 Mbyte Program Flash Memory (PFLASH) with ECC
 - 128 Kbyte Data Flash Memory (DFLASH) usable for EEPROM emulation
 - 128 Kbyte Data Memory (LDRAM)
 - Instruction Cache: up to 16 Kbyte (ICACHE, configurable)
 - 40 Kbyte Code Scratchpad Memory (SPRAM)
 - Data Cache: up to 4 Kbyte (DCACHE, configurable)
 - 8 Kbyte Overlay Memory (OVRAM)
 - 16 Kbyte BootROM (BROM)
- 16-Channel DMA Controller
- Sophisticated interrupt system with 2×255 hardware priority arbitration levels serviced by CPU or PCP2
- High performing on-chip bus structure
 - 64-bit Local Memory Buses between CPU, Flash and Data Memory
 - 32-bit System Peripheral Bus (SPB) for on-chip peripheral and functional units
 - One bus bridge (LFI Bridge)
- Versatile On-chip Peripheral Units
 - Two Asynchronous/Synchronous Serial Channels (ASC) with baud rate generator, parity, framing and overrun error detection
 - Three High-Speed Synchronous Serial Channels (SSC) with programmable data length and shift direction
 - One serial Micro Second Bus interface (MSC) for serial port expansion to external power devices
 - One High-Speed Micro Link interface (MLI) for serial inter-processor communication
 - One MultiCAN Module with 3 CAN nodes and 128 free assignable message objects for high efficiency data handling via FIFO buffering and gateway data transfer (one CAN node supports TTCAN functionality)

Summary of Features

- One General Purpose Timer Array Module (GPTA) with additional Local Timer Cell Array (LTCA2) providing a powerful set of digital signal filtering and timer functionality to realize autonomous and complex Input/Output management
- 32 analog input lines for ADC
 - 2 independent kernels (ADC0 and ADC1)
 - Analog supply voltage range from 3.3 V to 5 V (single supply)
- 4 different FADC input channels
 - channels with impedance control and overlaid with ADC1 inputs
 - Extreme fast conversion, 21 cycles of f_{FADC} clock
 - 10-bit A/D conversion (higher resolution can be achieved by averaging of consecutive conversions in digital data reduction filter)
- 86 digital general purpose I/O lines (GPIO), 4 input lines
- Digital I/O ports with 3.3 V capability
- On-chip debug support for OCDS Level 1 (CPU, PCP, DMA, On Chip Bus)
- Dedicated Emulation Device chip available (TC1782ED)
 - multi-core debugging, real time tracing, and calibration
 - four/five wire JTAG (IEEE 1149.1) or two wire DAP (Device Access Port) interface
- Power Management System
- Clock Generation Unit with PLL

Summary of Features

The **SAK-TC1782F-320F160HR / SAK-TC1782F-320F160HL** has the following features:

- High-performance 32-bit super-scalar TriCore V1.3.1 CPU with 4-stage pipeline
 - Superior real-time performance
 - Strong bit handling
 - Fully integrated DSP capabilities
 - Single precision Floating Point Unit (FPU)
 - 160 MHz operation at full temperature range
- 32-bit Peripheral Control Processor with single cycle instruction (PCP2)
 - 16 Kbyte Parameter Memory (PRAM)
 - 32 Kbyte Code Memory (CMEM)
 - 160 MHz operation at full temperature range
- Multiple on-chip memories
 - 2.5 Mbyte Program Flash Memory (PFLASH) with ECC
 - 128 Kbyte Data Flash Memory (DFLASH) usable for EEPROM emulation
 - 128 Kbyte Data Memory (LDRAM)
 - Instruction Cache: up to 16 Kbyte (ICACHE, configurable)
 - 40 Kbyte Code Scratchpad Memory (SPRAM)
 - Data Cache: up to 4 Kbyte (DCACHE, configurable)
 - 8 Kbyte Overlay Memory (OVRAM)
 - 16 Kbyte BootROM (BROM)
- 16-Channel DMA Controller
- Sophisticated interrupt system with 2×255 hardware priority arbitration levels serviced by CPU or PCP2
- High performing on-chip bus structure
 - 64-bit Local Memory Buses between CPU, Flash and Data Memory
 - 32-bit System Peripheral Bus (SPB) for on-chip peripheral and functional units
 - One bus bridge (LFI Bridge)
- Versatile On-chip Peripheral Units
 - Two Asynchronous/Synchronous Serial Channels (ASC) with baud rate generator, parity, framing and overrun error detection
 - Three High-Speed Synchronous Serial Channels (SSC) with programmable data length and shift direction
 - One serial Micro Second Bus interface (MSC) for serial port expansion to external power devices
 - One High-Speed Micro Link interface (MLI) for serial inter-processor communication
 - One MultiCAN Module with 3 CAN nodes and 128 free assignable message objects for high efficiency data handling via FIFO buffering and gateway data transfer (one CAN node supports TTCAN functionality)
 - One FlexRay™ module with 2 channels (E-Ray).

Summary of Features

- One General Purpose Timer Array Module (GPTA) with additional Local Timer Cell Array (LTCA2) providing a powerful set of digital signal filtering and timer functionality to realize autonomous and complex Input/Output management
- 32 analog input lines for ADC
 - 2 independent kernels (ADC0 and ADC1)
 - Analog supply voltage range from 3.3 V to 5 V (single supply)
- 4 different FADC input channels
 - channels with impedance control and overlaid with ADC1 inputs
 - Extreme fast conversion, 21 cycles of f_{FADC} clock
 - 10-bit A/D conversion (higher resolution can be achieved by averaging of consecutive conversions in digital data reduction filter)
- 86 digital general purpose I/O lines (GPIO), 4 input lines
- Digital I/O ports with 3.3 V capability
- On-chip debug support for OCDS Level 1 (CPU, PCP, DMA, On Chip Bus)
- Dedicated Emulation Device chip available (TC1782ED)
 - multi-core debugging, real time tracing, and calibration
 - four/five wire JTAG (IEEE 1149.1) or two wire DAP (Device Access Port) interface
- Power Management System
- Clock Generation Unit with PLL

Summary of Features

The **SAK-TC1782N-320F160HR / SAK-TC1782N-320F160HL** has the following features:

- High-performance 32-bit super-scalar TriCore V1.3.1 CPU with 4-stage pipeline
 - Superior real-time performance
 - Strong bit handling
 - Fully integrated DSP capabilities
 - Single precision Floating Point Unit (FPU)
 - 160 MHz operation at full temperature range
- 32-bit Peripheral Control Processor with single cycle instruction (PCP2)
 - 16 Kbyte Parameter Memory (PRAM)
 - 32 Kbyte Code Memory (CMEM)
 - 160 MHz operation at full temperature range
- Multiple on-chip memories
 - 2.5 Mbyte Program Flash Memory (PFLASH) with ECC
 - 128 Kbyte Data Flash Memory (DFLASH) usable for EEPROM emulation
 - 128 Kbyte Data Memory (LDRAM)
 - Instruction Cache: up to 16 Kbyte (ICACHE, configurable)
 - 40 Kbyte Code Scratchpad Memory (SPRAM)
 - Data Cache: up to 4 Kbyte (DCACHE, configurable)
 - 8 Kbyte Overlay Memory (OVRAM)
 - 16 Kbyte BootROM (BROM)
- 16-Channel DMA Controller
- Sophisticated interrupt system with 2×255 hardware priority arbitration levels serviced by CPU or PCP2
- High performing on-chip bus structure
 - 64-bit Local Memory Buses between CPU, Flash and Data Memory
 - 32-bit System Peripheral Bus (SPB) for on-chip peripheral and functional units
 - One bus bridge (LFI Bridge)
- Versatile On-chip Peripheral Units
 - Two Asynchronous/Synchronous Serial Channels (ASC) with baud rate generator, parity, framing and overrun error detection
 - Three High-Speed Synchronous Serial Channels (SSC) with programmable data length and shift direction
 - One serial Micro Second Bus interface (MSC) for serial port expansion to external power devices
 - One High-Speed Micro Link interface (MLI) for serial inter-processor communication
 - One MultiCAN Module with 3 CAN nodes and 128 free assignable message objects for high efficiency data handling via FIFO buffering and gateway data transfer (one CAN node supports TTCAN functionality)

Summary of Features

- One General Purpose Timer Array Module (GPTA) with additional Local Timer Cell Array (LTCA2) providing a powerful set of digital signal filtering and timer functionality to realize autonomous and complex Input/Output management
- 32 analog input lines for ADC
 - 2 independent kernels (ADC0 and ADC1)
 - Analog supply voltage range from 3.3 V to 5 V (single supply)
- 4 different FADC input channels
 - channels with impedance control and overlaid with ADC1 inputs
 - Extreme fast conversion, 21 cycles of f_{FADC} clock
 - 10-bit A/D conversion (higher resolution can be achieved by averaging of consecutive conversions in digital data reduction filter)
- 86 digital general purpose I/O lines (GPIO), 4 input lines
- Digital I/O ports with 3.3 V capability
- On-chip debug support for OCDS Level 1 (CPU, PCP, DMA, On Chip Bus)
- Dedicated Emulation Device chip available (TC1782ED)
 - multi-core debugging, real time tracing, and calibration
 - four/five wire JTAG (IEEE 1149.1) or two wire DAP (Device Access Port) interface
- Power Management System
- Clock Generation Unit with PLL

Summary of Features
Ordering Information

The ordering code for Infineon microcontrollers provides an exact reference to the required product. This ordering code identifies:

- The derivative itself, i.e. its function set, the temperature range, and the supply voltage
- The package and the type of delivery.

For the available ordering codes for the TC1782 please refer to the “**Product Catalog Microcontrollers**”, which summarizes all available microcontroller variants.

This document describes the derivatives of the device. The **Table 1** enumerates these derivatives and summarizes the differences.

Table 1 TC1782 Derivative Synopsis

Derivative	Ambient Temperature Range	Package
SAK-TC1782F-320F180HR	$T_A = -40^{\circ}\text{C}$ to $+125^{\circ}\text{C}$	PG-LQFP-176-20
SAK-TC1782F-320F180HL	$T_A = -40^{\circ}\text{C}$ to $+125^{\circ}\text{C}$	PG-LQFP-176-10
SAK-TC1782N-320F180HR	$T_A = -40^{\circ}\text{C}$ to $+125^{\circ}\text{C}$	PG-LQFP-176-20
SAK-TC1782N-320F180HL	$T_A = -40^{\circ}\text{C}$ to $+125^{\circ}\text{C}$	PG-LQFP-176-10
SAK-TC1782N-256F133HR	$T_A = -40^{\circ}\text{C}$ to $+125^{\circ}\text{C}$	PG-LQFP-176-20
SAK-TC1782N-256F133HL	$T_A = -40^{\circ}\text{C}$ to $+125^{\circ}\text{C}$	PG-LQFP-176-10
SAK-TC1782F-320F160HR	$T_A = -40^{\circ}\text{C}$ to $+125^{\circ}\text{C}$	PG-LQFP-176-20
SAK-TC1782F-320F160HL	$T_A = -40^{\circ}\text{C}$ to $+125^{\circ}\text{C}$	PG-LQFP-176-10
SAK-TC1782N-320F160HR	$T_A = -40^{\circ}\text{C}$ to $+125^{\circ}\text{C}$	PG-LQFP-176-20
SAK-TC1782N-320F160HL	$T_A = -40^{\circ}\text{C}$ to $+125^{\circ}\text{C}$	PG-LQFP-176-10

2 System Overview of the TC1782

The TC1782 combines three powerful technologies within one silicon die, achieving new levels of power, speed, and economy for embedded applications:

- Reduced Instruction Set Computing (RISC) processor architecture
- Digital Signal Processing (DSP) operations and addressing modes
- On-chip memories and peripherals

DSP operations and addressing modes provide the computational power necessary to efficiently analyze complex real-world signals. The RISC load/store architecture provides high computational bandwidth with low system cost. On-chip memory and peripherals are designed to support even the most demanding high-bandwidth real-time embedded control-systems tasks.

Additional high-level features of the TC1782 include:

- Efficient memory organization: instruction and data scratch memories, caches
- Serial communication interfaces – flexible synchronous and asynchronous modes
- Peripheral Control Processor – standalone data operations and interrupt servicing
- DMA Controller – DMA operations and interrupt servicing
- General-purpose timers
- High-performance on-chip buses
- On-chip debugging and emulation facilities
- Flexible interconnections to external components
- Flexible power-management

The TC1782 is a high-performance microcontroller with TriCore CPU, program and data memories, buses, bus arbitration, an interrupt controller, a peripheral control processor and a DMA controller and several on-chip peripherals. The TC1782 is designed to meet the needs of the most demanding embedded control systems applications where the competing issues of price/performance, real-time responsiveness, computational power, data bandwidth, and power consumption are key design elements.

The TC1782 offers several versatile on-chip peripheral units such as serial controllers, timer units, and Analog-to-Digital converters. Within the TC1782, all these peripheral units are connected to the TriCore CPU/system via the Flexible Peripheral Interconnect (FPI) Bus and the Local Memory Bus (LMB). Several I/O lines on the TC1782 ports are reserved for these peripheral units to communicate with the external world.

System Overview of the TC1782 Block Diagrams

2.1 Block Diagrams

Figure 1 shows the block diagram of the SAK-TC1782-320F180HR / SAK-TC1782-320F180HL / SAK-TC1782-320F160HR / SAK-TC1782-320F160HL.

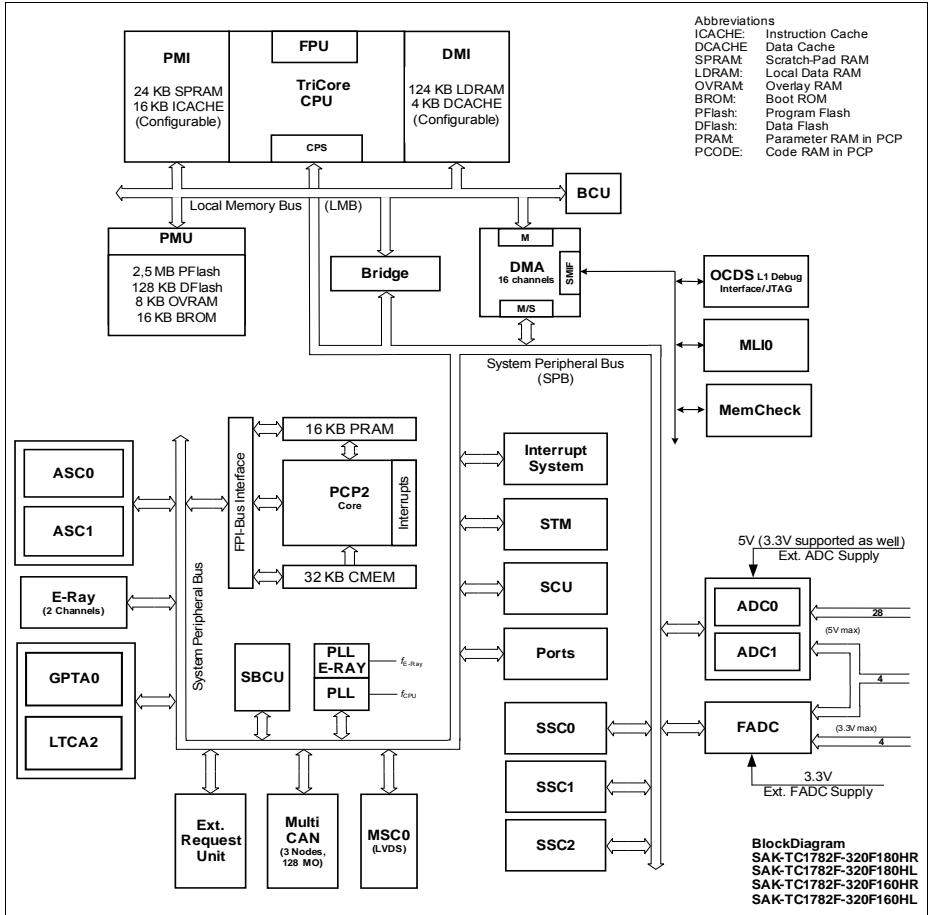


Figure 1 SAK-TC1782-320F180HR / SAK-TC1782-320F180HL / SAK-TC1782-320F160HR / SAK-TC1782-320F160HL Block Diagram

System Overview of the TC1782 Block Diagrams

Figure 2 shows the block diagram of the SAK-TC1782N-320F180HR / SAK-TC1782N-320F180HL / SAK-TC1782N-320F160HR / SAK-TC1782N-320F160HL.

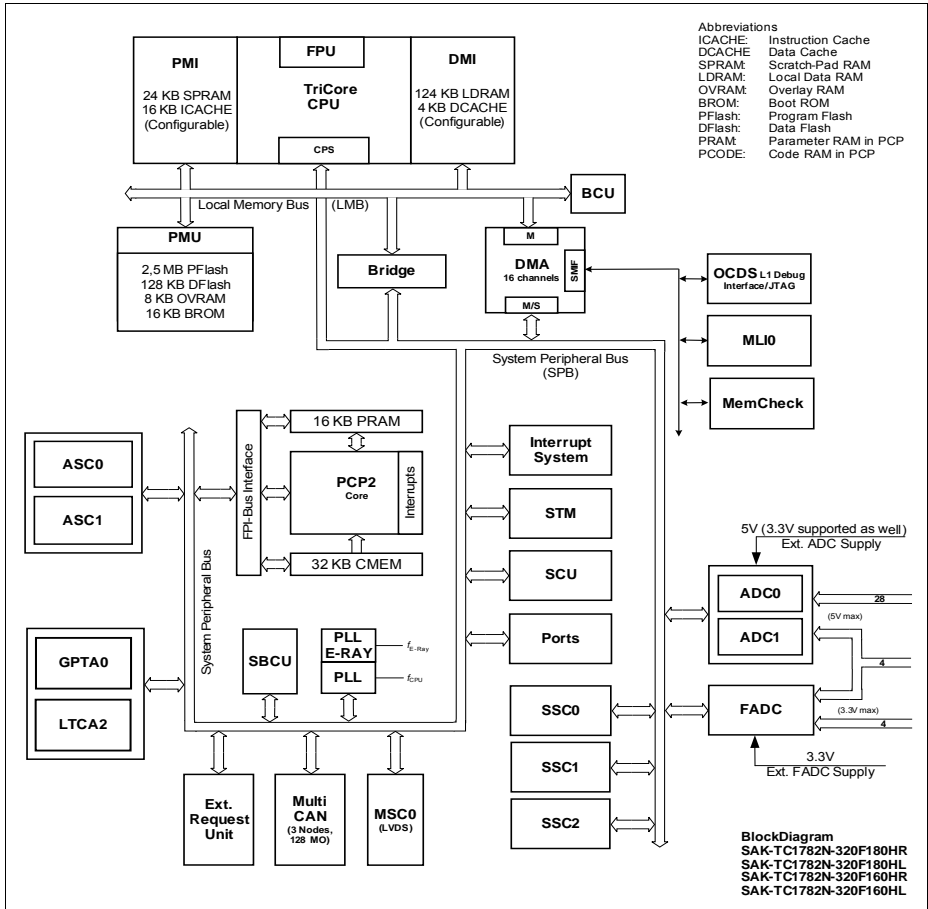


Figure 2 SAK-TC1782N-320F180HR / SAK-TC1782N-320F180HL / SAK-TC1782N-320F160HR / SAK-TC1782N-320F160HL / Block Diagram

System Overview of the TC1782 Block Diagrams

Figure 3 shows the block diagram of the SAK-TC1782N-256F133HR / SAK-TC1782N-256F133HL.

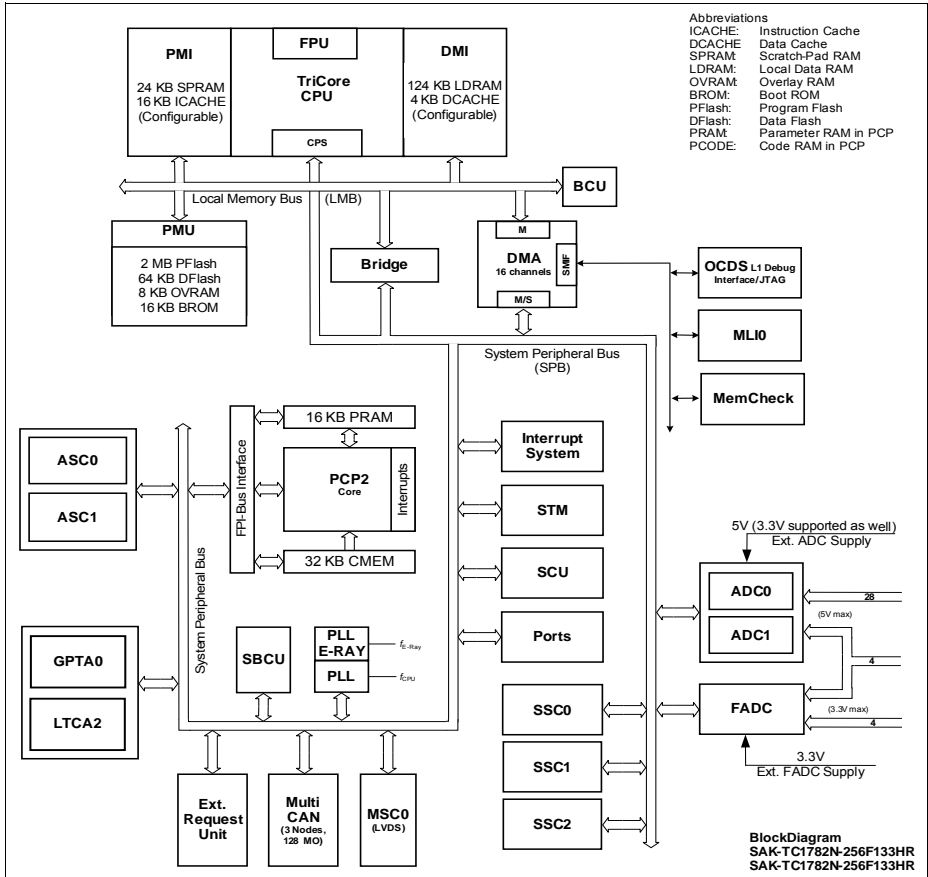


Figure 3 SAK-TC1782N-256F133HR / SAK-TC1782N-256F133HL Block Diagram

3 Pinning

Figure 4 is showing the TC1782 Logic Symbol.

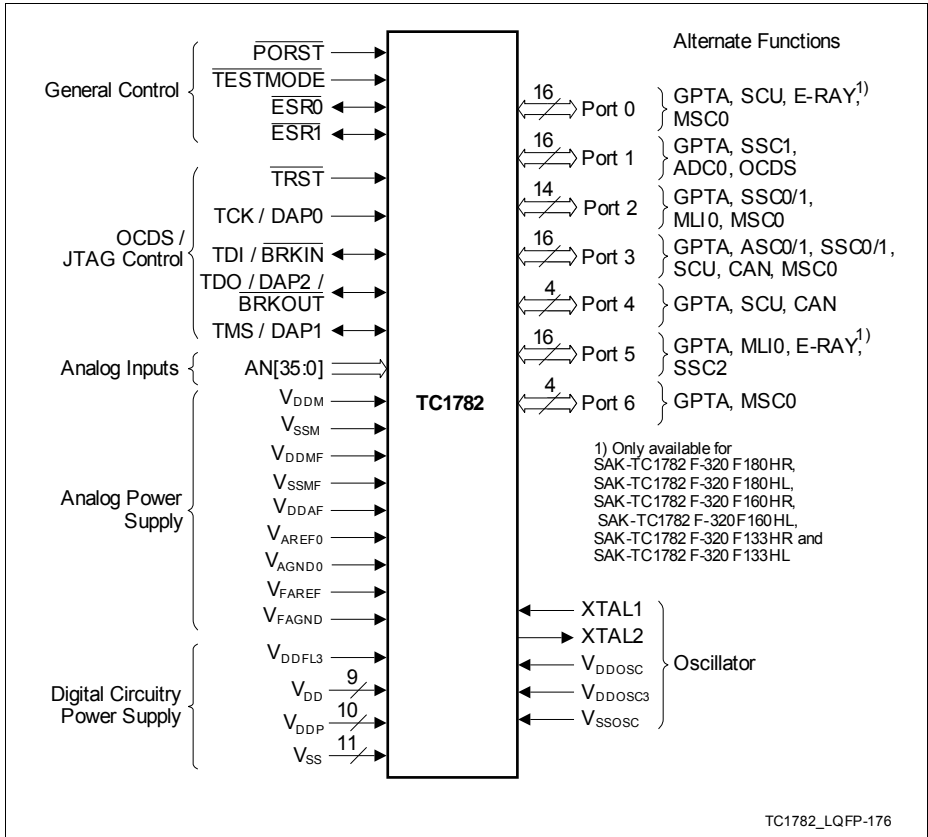


Figure 4 TC1782 Logic Symbol

Pinning TC1782 Pin Configuration

3.1 TC1782 Pin Configuration

This chapter shows the pin configuration of the TC1782 package PG-LQFP-176-10 / PG-LQFP-176-20.

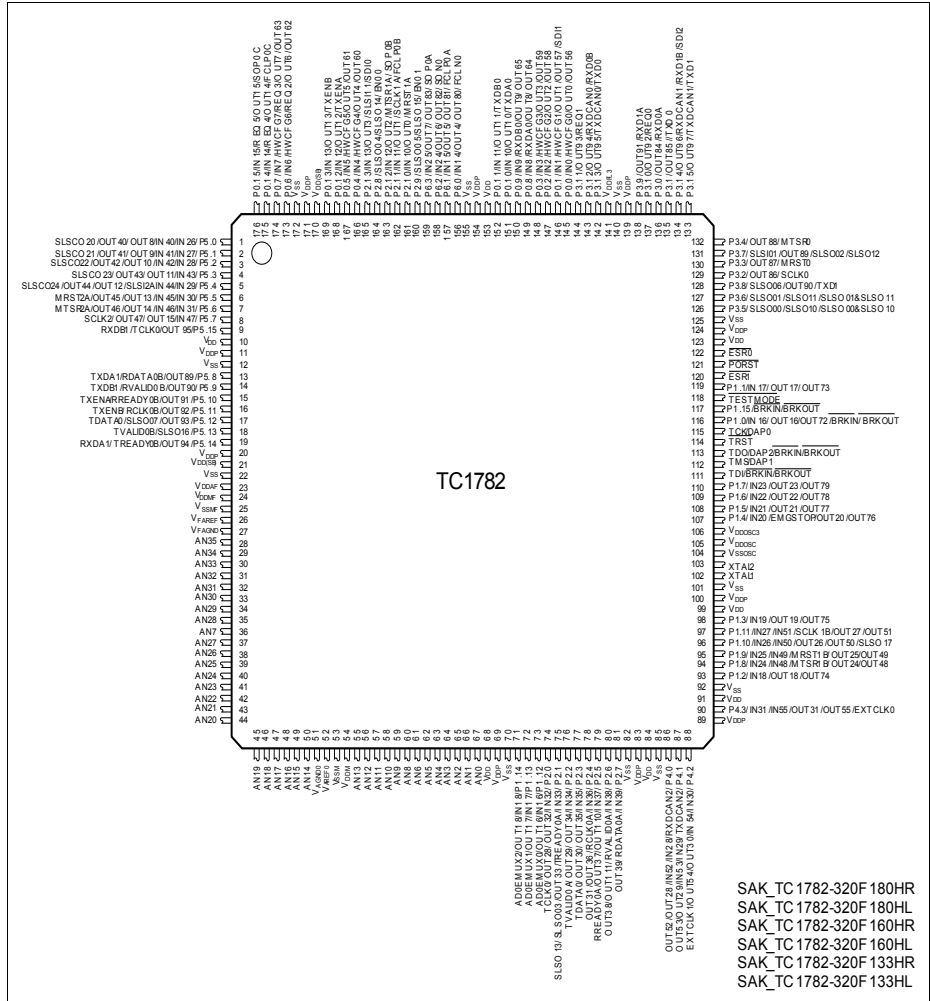


Figure 5 SAK-TC1782F-320F180HR / SAK-TC1782F-320F180HL / SAK-TC1782F-320F160HR / SAK-TC1782F-320F160HL Pinning

Pinning TC1782 Pin Configuration

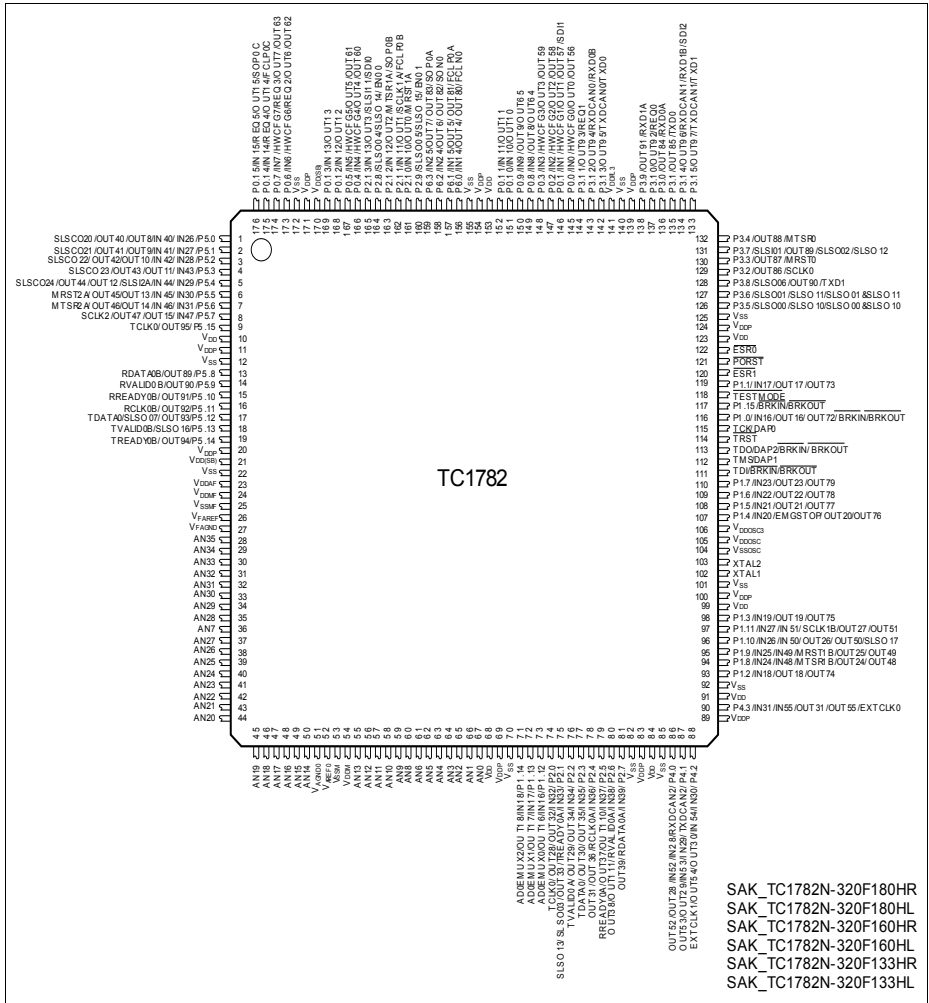


Figure 6 SAK-TC1782N-320F180HR / SAK-TC1782N-320F180HL / SAK-TC1782N-320F160HR / SAK-TC1782N-320F160HL / SAK-TC1782N-256F133HR / SAK-TC1782N-256F133HL / Pinning

PinningTC1782 Pin Configuration

Table 2 Pin Definitions and Functions (PG-LQFP-176-10 / PG-LQFP-176-20 Package)

Pin	Symbol	Ctrl.	Type	Function
Port 0				
145	P0.0	I/O0	A1/ PU	Port 0 General Purpose I/O Line 0
	IN0	I		GPTA0 Input 0
	IN0	I		LTCA2 Input 0
	HWCFG0	I		Hardware Configuration Input 0
	OUT0	O1		GPTA0 Output 0
	OUT56	O2		GPTA0 Output 56
	OUT0	O3		LTCA2 Output 0
146	P0.1	I/O0	A1/ PU	Port 0 General Purpose I/O Line 1
	IN1	I		GPTA0 Input 1
	IN1	I		LTCA2 Input 1
	SDI1	I		MSC0 Serial Data Input 1
	HWCFG1	I		Hardware Configuration Input 1
	OUT1	O1		GPTA0 Output 1
	OUT57	O2		GPTA0 Output 57
	OUT1	O3		LTCA2 Output 1
147	P0.2	I/O0	A1/ PU	Port 0 General Purpose I/O Line 2
	IN2	I		GPTA0 Input 2
	IN2	I		LTCA2 Input 2
	HWCFG2	I		Hardware Configuration Input 2
	OUT2	O1		GPTA0 Output 2
	OUT58	O2		GPTA0 Output 58
	OUT2	O3		LTCA2 Output 2

Pinning TC1782 Pin Configuration

Table 2 Pin Definitions and Functions (PG-LQFP-176-10 / PG-LQFP-176-20 Package) (cont'd)

Pin	Symbol	Ctrl.	Type	Function
148	P0.3	I/O0	A1+/PU	Port 0 General Purpose I/O Line 3
	IN3	I		GPTA0 Input 3
	IN3	I		LTCA2 Input 3
	HWCFG3	I		Hardware Configuration Input 3
	OUT3	O1		GPTA0 Output 3
	OUT59	O2		GPTA0 Output 59
	OUT3	O3		LTCA2 Output 3
166	P0.4	I/O0	A1/PU	Port 0 General Purpose I/O Line 4
	IN4	I		GPTA0 Input 4
	IN4	I		LTCA2 Input 4
	HWCFG4	I		Hardware Configuration Input 4
	OUT4	O1		GPTA0 Output 4
	OUT60	O2		GPTA0 Output 60
	OUT4	O3		LTCA2 Output 4
167	P0.5	I/O0	A1/PU	Port 0 General Purpose I/O Line 5
	IN5	I		GPTA0 Input 5
	IN5	I		LTCA2 Input 5
	HWCFG5	I		Hardware Configuration Input 5
	OUT5	O1		GPTA0 Output 5
	OUT61	O2		GPTA0 Output 61
	OUT5	O3		LTCA2 Output 5
173	P0.6	I/O0	A1/PU	Port 0 General Purpose I/O Line 6
	IN6	I		GPTA0 Input 6
	IN6	I		LTCA2 Input 6
	HWCFG6	I		Hardware Configuration Input 6
	REQ2	I		External Request Input 2
	OUT6	O1		GPTA0 Output 6
	OUT62	O2		GPTA0 Output 62
OUT6	O3	LTCA2 Output 6		

Pinning TC1782 Pin Configuration

Table 2 Pin Definitions and Functions (PG-LQFP-176-10 / PG-LQFP-176-20 Package) (cont'd)

Pin	Symbol	Ctrl.	Type	Function
174	P0.7	I/O0	A1/ PU	Port 0 General Purpose I/O Line 7
	IN7	I		GPTA0 Input 7
	IN7	I		LTCA2 Input 7
	HWCFG7	I		Hardware Configuration Input 7
	REQ3	I		External Request Input 3
	OUT7	O1		GPTA0 Output 7
	OUT63	O2		GPTA0 Output 63
	OUT7	O3		LTCA2 Output 7
149	P0.8	I/O0	A1/ PU	Port 0 General Purpose I/O Line 8
	IN8	I		GPTA0 Input 8
	IN8	I		LTCA2 Input 8
	RXDA0	I		E-Ray Channel A Receive Data Input 0 ¹⁾
	OUT8	O1		GPTA0 Output 8
	OUT64	O2		GPTA0 Output 64
	OUT8	O3		LTCA2 Output 8
150	P0.9	I/O0	A1/ PU	Port 0 General Purpose I/O Line 9
	IN9	I		GPTA0 Input 9
	IN9	I		LTCA2 Input 9
	RXDB0	I		E-Ray Channel B Receive Data Input 0 ¹⁾
	OUT9	O1		GPTA0 Output 9
	OUT65	O2		GPTA0 Output 65
	OUT9	O3		LTCA2 Output 9
151	P0.10	I/O0	A2/ PU	Port 0 General Purpose I/O Line 10
	IN10	I		GPTA0 Input 10
	OUT10	O1		GPTA0 Output 10
	TXDA0	O2		E-Ray Channel A transmit Data Output ¹⁾
	OUT10	O3		LTCA2 Output 10

PinningTC1782 Pin Configuration

Table 2 Pin Definitions and Functions (PG-LQFP-176-10 / PG-LQFP-176-20 Package) (cont'd)

Pin	Symbol	Ctrl.	Type	Function
152	P0.11	I/O0	A2/ PU	Port 0 General Purpose I/O Line 11
	IN11	I		GPTA0 Input 11
	OUT11	O1		GPTA0 Output 11
	TXDB0	O2		E-Ray Channel B transmit Data Output ¹⁾
	OUT11	O3		LTCA2 Output 11
168	P0.12	I/O0	A2/ PU	Port 0 General Purpose I/O Line 12
	IN12	I		GPTA0 Input 12
	OUT12	O1		GPTA0 Output 12
	TXENA	O2		E-Ray Channel A transmit Data Output enable ¹⁾
	OUT12	O3		LTCA2 Output 12
169	P0.13	I/O0	A2/ PU	Port 0 General Purpose I/O Line 13
	IN13	I		GPTA0 Input 13
	OUT13	O1		GPTA0 Output 13
	TXENB	O2		E-Ray Channel B transmit Data Output enable ¹⁾
	OUT13	O3		LTCA2 Output 13
175	P0.14	I/O0	A1+/ PU	Port 0 General Purpose I/O Line 14
	IN14	I		GPTA0 Input 14
	REQ4	I		External Request Input 4
	OUT14	O1		GPTA0 Output 14
	FCLP0C	O2		MSC0 Clock Output Positive C
	OUT14	O3		LTCA2 Output 14
176	P0.15	I/O0	A1+/ PU	Port 0 General Purpose I/O Line 15
	IN15	I		GPTA0 Input 15
	REQ5	I		External Request Input 5
	OUT15	O1		GPTA0 Output 15
	SOP0C	O2		MSC0 Serial Data Output Positive C
	OUT15	O3		LTCA2 Output 15

Port 1

PinningTC1782 Pin Configuration

Table 2 Pin Definitions and Functions (PG-LQFP-176-10 / PG-LQFP-176-20 Package) (cont'd)

Pin	Symbol	Ctrl.	Type	Function
116	P1.0	I/O0	A2/ PU	Port 1 General Purpose I/O Line 0
	IN16	I		GPTA0 Input 16
	BRKIN	I		Break Input
	OUT16	O1		GPTA0 Output 16
	OUT72	O2		GPTA0 Output 72
	OUT16	O3		LTCA2 Output 16
	BRKOUT	O		Break Output (controlled by OCDS module)
119	P1.1	I/O0	A1/ PU	Port 1 General Purpose I/O Line 1
	IN17	I		GPTA0 Input 17
	OUT17	O1		GPTA0 Output 17
	OUT73	O2		GPTA0 Output 73
	OUT17	O3		LTCA2 Output 17
93	P1.2	I/O0	A1/ PU	Port 1 General Purpose I/O Line 2
	IN18	I		GPTA0 Input 18
	OUT18	O1		GPTA0 Output 18
	OUT74	O2		GPTA0 Output 74
	OUT18	O3		LTCA2 Output 18
98	P1.3	I/O0	A1/ PU	Port 1 General Purpose I/O Line 3
	IN19	I		GPTA0 Input 19
	IN19	I		LTCA2 Input 19
	OUT19	O1		GPTA0 Output 19
	OUT75	O2		GPTA0 Output 75
	OUT19	O3		LTCA2 Output 19
107	P1.4	I/O0	A1/ PU	Port 1 General Purpose I/O Line 4
	IN20	I		GPTA0 Input 20
	IN20	I		LTCA2 Input 20
	EMGSTOP	I		Emergency Stop Input
	OUT20	O1		GPTA0 Output 20
	OUT76	O2		GPTA0 Output 76
	OUT20	O3		LTCA2 Output 20

Pinning TC1782 Pin Configuration

Table 2 Pin Definitions and Functions (PG-LQFP-176-10 / PG-LQFP-176-20 Package) (cont'd)

Pin	Symbol	Ctrl.	Type	Function
108	P1.5	I/O0	A1/ PU	Port 1 General Purpose I/O Line 35
	IN21	I		GPTA0 Input 21
	IN21	I		LTCA2 Input 21
	OUT21	O1		GPTA0 Output 21
	OUT77	O2		GPTA0 Output 77
	OUT21	O3		LTCA2 Output 21
109	P1.6	I/O0	A1/ PU	Port 1 General Purpose I/O Line 6
	IN22	I		GPTA0 Input 22
	IN22	I		LTCA2 Input 22
	OUT22	O1		GPTA0 Output 22
	OUT78	O2		GPTA0 Output 78
	OUT22	O3		LTCA2 Output 22
110	P1.7	I/O0	A1/ PU	Port 1 General Purpose I/O Line 7
	IN23	I		GPTA0 Input 23
	IN23	I		LTCA2 Input 23
	OUT23	O1		GPTA0 Output 23
	OUT79	O2		GPTA0 Output 79
	OUT23	O3		LTCA2 Output 23
94	P1.8	I/O0	A1+/ PU	Port 1 General Purpose I/O Line 8
	IN24	I		GPTA0 Input 24
	IN48	I		GPTA0 Input 48
	MTR1B	I		SSC1 Slave Receive Input B (Slave Mode)
	OUT24	O1		GPTA0 Output 24
	OUT48	O2		GPTA0 Output 48
	MTR1B	O3		SSC1 Master Transmit Output B (Master Mode)

Pinning TC1782 Pin Configuration

Table 2 Pin Definitions and Functions (PG-LQFP-176-10 / PG-LQFP-176-20 Package) (cont'd)

Pin	Symbol	Ctrl.	Type	Function
95	P1.9	I/O0	A1+/ PU	Port 1 General Purpose I/O Line 9
	IN25	I		GPTA0 Input 25
	IN49	I		GPTA0 Input 49
	MRST1B	I		SSC1 Master Receive Input B (Master Mode)
	OUT25	O1		GPTA0 Output 25
	OUT49	O2		GPTA0 Output 49
	MRST1B	O3		SSC1 Slave Transmit Output B (Slave Mode)
96	P1.10	I/O0	A1+/ PU	Port 1 General Purpose I/O Line 10
	IN26	I		GPTA0 Input 26
	IN50	I		GPTA0 Input 50
	OUT26	O1		GPTA0 Output 26
	OUT50	O2		GPTA0 Output 50
	SLSO17	O3		SSC1 Slave Select Output 7
97	P1.11	I/O0	A1+/ PU	Port 1 General Purpose I/O Line 11
	IN27	I		GPTA0 Input 27
	IN51	I		GPTA0 Input 51
	SCLK1B	I		SSC1 Clock Input B
	OUT27	O1		GPTA0 Output 27
	OUT51	O2		GPTA0 Output 51
	SCLK1B	O3		SSC1 Clock Output B
73	P1.12	I/O0	A1/ PU	Port 1 General Purpose I/O Line 12
	IN16	I		LTCA2 Input 16
	AD0EMUX0	O1		ADC0 External Multiplexer Control Output 0
	AD0EMUX0	O2		ADC0 External Multiplexer Control Output 0
	OUT16	O3		LTCA2 Output 16
72	P1.13	I/O0	A1/ PU	Port 1 General Purpose I/O Line 13
	IN17	I		LTCA2 Input 17
	AD0EMUX1	O1		ADC0 External Multiplexer Control Output 1
	AD0EMUX1	O2		ADC0 External Multiplexer Control Output 1
	OUT17	O3		LTCA2 Output 17

Pinning TC1782 Pin Configuration

Table 2 Pin Definitions and Functions (PG-LQFP-176-10 / PG-LQFP-176-20 Package) (cont'd)

Pin	Symbol	Ctrl.	Type	Function
71	P1.14	I/O0	A1/ PU	Port 1 General Purpose I/O Line 14
	IN18	I		LTCA2 Input 18
	AD0EMUX2	O1		ADC0 External Multiplexer Control Output 2
	AD0EMUX2	O2		ADC0 External Multiplexer Control Output 2
	OUT18	O3		LTCA2 Output 18
117	P1.15	I/O0	A2/ PU	Port 1 General Purpose I/O Line 15
	BRKIN	I		Break Input
	Reserved	O1		-
	Reserved	O2		-
	Reserved	O3		-
	BRKOUT	O		Break Output (controlled by OCDS module)
Port 2				
74	P2.0	I/O0	A2/ PU	Port 2 General Purpose I/O Line 0
	IN32	I		GPTA0 Input 32
	OUT32	O1		GPTA0 Output 32
	TCLK0	O2		MLI0 Transmitter Clock Output 0
	OUT28	O3		LTCA2 Output 28
75	P2.1	I/O0	A2/ PU	Port 2 General Purpose I/O Line 1
	IN33	I		GPTA0 Input 33
	TREADY0A	I		MLI0 Transmitter Ready Input A
	OUT33	O1		GPTA0 Output 33
	SLSO03	O2		SSC0 Slave Select Output Line 3
	SLSO13	O3		SSC1 Slave Select Output Line 3
76	P2.2	I/O0	A2/ PU	Port 2 General Purpose I/O Line 2
	IN34	I		GPTA0 Input 34
	OUT34	O1		GPTA0 Output 34
	TVALID0	O2		MLI0 Transmitter Valid Output
	OUT29	O3		LTCA2 Output 29

Pinning TC1782 Pin Configuration

Table 2 Pin Definitions and Functions (PG-LQFP-176-10 / PG-LQFP-176-20 Package) (cont'd)

Pin	Symbol	Ctrl.	Type	Function
77	P2.3	I/O0	A2/ PU	Port 2 General Purpose I/O Line 3
	IN35	I		GPTA0 Input 35
	OUT35	O1		GPTA0 Output 35
	TDATA0	O2		MLI0 Transmitter Data Output
	OUT30	O3		LTCA2 Output 30
78	P2.4	I/O0	A2/ PU	Port 2 General Purpose I/O Line 4
	IN36	I		GPTA0 Input 36
	RCLK0A	I		MLI Receiver Clock Input A
	OUT36	O1		GPTA0 Output 36
	OUT36	O2		GPTA0 Output 36
	OUT31	O3		LTCA2 Output 31
79	P2.5	I/O0	A2/ PU	Port 2 General Purpose I/O Line 5
	IN37	I		GPTA0 Input 37
	OUT37	O1		GPTA0 Output 37
	RREADY0A	O2		MLI0 Receiver Ready Output A
	OUT110	O3		LTCA2 Output 110
80	P2.6	I/O0	A2/ PU	Port 2 General Purpose I/O Line 6
	IN38	I		GPTA0 Input 38
	RVALID0A	I		MLI Receiver Valid Input A
	OUT38	O1		GPTA0 Output 38
	OUT38	O2		GPTA0 Output 38
	OUT111	O3		LTCA2 Output 111
81	P2.7	I/O0	A2/ PU	Port 2 General Purpose I/O Line 7
	IN39	I		GPTA0 Input 39
	RDATA0A	I		MLI Receiver Data Input A
	OUT39	O1		GPTA0 Output 39
	OUT39	O2		GPTA0 Output 39
	Reserved	O3		-

Pinning TC1782 Pin Configuration

Table 2 Pin Definitions and Functions (PG-LQFP-176-10 / PG-LQFP-176-20 Package) (cont'd)

Pin	Symbol	Ctrl.	Type	Function
164	P2.8	I/O0	A2/ PU	Port 2 General Purpose I/O Line 8
	SLSO04	O1		SSC0 Slave Select Output 4
	SLSO14	O2		SSC1 Slave Select Output 4
	EN00	O3		MSC0 Enable Output 0
160	P2.9	I/O0	A2/ PU	Port 2 General Purpose I/O Line 9
	SLSO05	O1		SSC0 Slave Select Output 5
	SLSO15	O2		SSC1 Slave Select Output 5
	EN01	O3		MSC0 Enable Output 1
161	P2.10	I/O0	A1+/ PU	Port 2 General Purpose I/O Line 10
	MRST1A	I		SSC1 Master Receive Input A
	IN10	I		LTCA2 Input 10
	MRST1A	O1		SSC1 Slave Transmit Output
	OUT0	O2		LTCA2 Output 0
	Reserved	O3		-
162	P2.11	I/O0	A1+/ PU	Port 2 General Purpose I/O Line 11
	SCLK1A	I		SSC1 Clock Input A
	IN11	I		LTCA2 Input 11
	SCLK1A	O1		SSC1 Clock Output A
	OUT1	O2		LTCA2 Output 1
	FCLP0B	O3		MSC0 Clock Output Positive B
163	P2.12	I/O0	A1+/ PU	Port 2 General Purpose I/O Line 12
	MTR1A	I		SSC1 Slave Receive Input A
	IN12	I		LTCA2 Input 12
	MTR1A	O1		SSC1 Master Transmit Output A
	OUT2	O2		LTCA2 Output 2
	SOP0B	O3		MSC0 Serial Data Output Positive B

Pinning TC1782 Pin Configuration

Table 2 Pin Definitions and Functions (PG-LQFP-176-10 / PG-LQFP-176-20 Package) (cont'd)

Pin	Symbol	Ctrl.	Type	Function
165	P2.13	I/O0	A1/ PU	Port 2 General Purpose I/O Line 13
	SLSI11	I		SSC1 Slave Select Input 1
	SDI0	I		MSC0 Serial Data Input 0
	IN13	I		LTCA2 Input 13
	OUT3	O1		LTCA2 Output 3
	Reserved	O2		-
	Reserved	O3		-
Port 3				
136	P3.0	I/O0	A1+/ PU	Port 3 General Purpose I/O Line 0
	RXD0A	I		ASC0 Receiver Input A (Async. & Sync. Mode)
	RXD0A	O1		ASC0 Output (Sync. Mode)
	RXD0A	O2		ASC0 Output (Sync. Mode)
	OUT84	O3		GPTA0 Output 84
135	P3.1	I/O0	A1+/ PU	Port 3 General Purpose I/O Line 1
	TXD0	O1		ASC0 Output
	TXD0	O2		ASC0 Output
	OUT85	O3		GPTA0 Output 85
129	P3.2	I/O0	A1+/ PU	Port 3 General Purpose I/O Line 2
	SCLK0	I		SSC0 Clock Input (Slave Mode)
	SCLK0	O1		SSC0 Clock Output (Master Mode)
	SCLK0	O2		SSC0 Clock Output (Master Mode)
	OUT86	O3		GPTA0 Output 86
130	P3.3	I/O0	A1+/ PU	Port 3 General Purpose I/O Line 3
	MRST0	I		SSC0 Master Receive Input (Master Mode)
	MRST0	O1		SSC0 Slave Transmit Output (Slave Mode)
	MRST0	O2		SSC0 Slave Transmit Output (Slave Mode)
	OUT87	O3		GPTA0 Output 87

PinningTC1782 Pin Configuration

Table 2 Pin Definitions and Functions (PG-LQFP-176-10 / PG-LQFP-176-20 Package) (cont'd)

Pin	Symbol	Ctrl.	Type	Function
132	P3.4	I/O0	A2/ PU	Port 3 General Purpose I/O Line 4
	MTSR0	I		SSC0 Slave Receive Input (Slave Mode)
	MTSR0	O1		SSC0 Master Transmit Output (Master Mode)
	MTSR0	O2		SSC0 Master Transmit Output (Master Mode)
	OUT88	O3		GPTA0 Output 88
126	P3.5	I/O0	A1+/ PU	Port 3 General Purpose I/O Line 5
	SLSO00	O1		SSC0 Slave Select Output 0
	SLSO10	O2		SSC1 Slave Select Output 0
	SLSOAND00	O3		SSC0 AND SSC1 Slave Select Output 0
127	P3.6	I/O0	A1+/ PU	Port 3 General Purpose I/O Line 6
	SLSO01	O1		SSC0 Slave Select Output 1
	SLSO11	O2		SSC1 Slave Select Output 1
	SLSOAND01	O3		SSC0 AND SSC1 Slave Select Output 1
131	P3.7	I/O0	A2/ PU	Port 3 General Purpose I/O Line 7
	SLSI01	I		SSC0 Slave Select Input 1
	SLSO02	O1		SSC0 Slave Select Output 2
	SLSO12	O2		SSC1 Slave Select Output 2
	OUT89	O3		GPTA0 Output 89
128	P3.8	I/O0	A2/ PU	Port 3 General Purpose I/O Line 8
	SLSO06	O1		SSC0 Slave Select Output 6
	TXD1	O2		ASC1 Transmit Output
	OUT90	O3		GPTA0 Output 90
138	P3.9	I/O0	A1/ PU	Port 3 General Purpose I/O Line 9
	RXD1A	I		ASC1 Receiver Input A
	RXD1A	O1		ASC1 Receiver Output A (Synchronous Mode)
	RXD1A	O2		ASC1 Receiver Output A (Synchronous Mode)
	OUT91	O3		GPTA0 Output 91

PinningTC1782 Pin Configuration

Table 2 Pin Definitions and Functions (PG-LQFP-176-10 / PG-LQFP-176-20 Package) (cont'd)

Pin	Symbol	Ctrl.	Type	Function
137	P3.10	I/O0	A1/ PU	Port 3 General Purpose I/O Line 10
	REQ0	I		External Request Input 0
	Reserved	O1		-
	Reserved	O2		-
	OUT92	O3		GPTA0 Output 92
144	P3.11	I/O0	A1/ PU	Port 3 General Purpose I/O Line 11
	REQ1	I		External Request Input 1
	Reserved	O1		-
	Reserved	O2		-
	OUT93	O3		GPTA0 Output 93
143	P3.12	I/O0	A1/ PU	Port 3 General Purpose I/O Line 12
	RXDCAN0	I		CAN Node 0 Receiver Input
	RXD0B	I		ASC0 Receiver Input B
	RXD0B	O1		ASC0 Receiver Output B (Synchronous Mode)
	RXD0B	O2		ASC0 Receiver Output B (Synchronous Mode)
	OUT94	O3		GPTA0 Output 94
142	P3.13	I/O0	A2/ PU	Port 3 General Purpose I/O Line 13
	TXDCAN0	O1		CAN Node 0 Transmitter Output
	TXD0	O2		ASC0 Transmit Output
	OUT95	O3		GPTA0 Output 95
134	P3.14	I/O0	A1/ PU	Port 3 General Purpose I/O Line 14
	RXDCAN1	I		CAN Node 1 Receiver Input
	RXD1B	I		ASC1 Receiver Input B
	SDI2	I		MSC0 Serial Data Input 2
	RXD1B	O1		ASC1 Receiver Output B (Synchronous Mode)
	RXD1B	O2		ASC1 Receiver Output B (Synchronous Mode)
	OUT96	O3		GPTA0 Output 96

Pinning TC1782 Pin Configuration

Table 2 Pin Definitions and Functions (PG-LQFP-176-10 / PG-LQFP-176-20 Package) (cont'd)

Pin	Symbol	Ctrl.	Type	Function
133	P3.15	I/O0	A2/ PU	Port 3 General Purpose I/O Line 15
	TXDCAN1	O1		CAN Node 1 Transmitter Output
	TXD1	O2		ASC1 Transmit Output
	OUT97	O3		GPTA0 Output 97
Port 4				
86	P4.0	I/O0	A1+/ PU	Port 4 General Purpose I/O Line 0
	IN28	I		GPTA0 Input 28
	IN52	I		GPTA0 Input 52
	RXDCAN2	I		CAN Node 2 Receiver Input
	OUT28	O1		GPTA0 Output 28
	OUT52	O2		GPTA0 Output 52
	Reserved	O3		-
87	P4.1	I/O0	A1+/ PU	Port 4 General Purpose I/O Line 1
	IN29	I		GPTA0 Input 29
	IN53	I		GPTA0 Input 53
	OUT29	O1		GPTA0 Output 29
	OUT53	O2		GPTA0 Output 53
	TXDCAN2	O3		CAN Node 2 Transmitter Output
88	P4.2	I/O0	A2/ PU	Port 4 General Purpose I/O Line 2
	IN30	I		GPTA0 Input 30
	IN54	I		GPTA0 Input 54
	OUT30	O1		GPTA0 Output 30
	OUT54	O2		GPTA0 Output 54
	EXTCLK1	O3		External Clock 1 Output
90	P4.3	I/O0	A2/ PU	Port 4 General Purpose I/O Line 3
	IN31	I		GPTA0 Input 31
	IN55	I		GPTA0 Input 55
	OUT31	O1		GPTA0 Output 31
	OUT55	O2		GPTA0 Output 55
	EXTCLK0	O3		External Clock 0 Output

PinningTC1782 Pin Configuration

Table 2 Pin Definitions and Functions (PG-LQFP-176-10 / PG-LQFP-176-20 Package) (cont'd)

Pin	Symbol	Ctrl.	Type	Function
Port 5				
1	P5.0	I/O0	A1+/ PU	Port 5 General Purpose I/O Line 0
	IN40	I		GPTA0 Input 40
	IN26	I		LTCA2 Input 26
	OUT40	O1		GPTA0 Output 40
	OUT8	O2		LTCA2 Output 8
	SLSO20	O3		SSC2 Slave Select Output 0
2	P5.1	I/O0	A1+/ PU	Port 5 General Purpose I/O Line 1
	IN41	I		GPTA0 Input 41
	IN27	I		LTCA2 Input 27
	OUT41	O1		GPTA0 Output 41
	OUT9	O2		LTCA2 Output 9
	SLSO21	O3		SSC2 Slave Select Output 1
3	P5.2	I/O0	A1+/ PU	Port 5 General Purpose I/O Line 2
	IN42	I		GPTA0 Input 42
	IN28	I		LTCA2 Input 28
	OUT42	O1		GPTA0 Output 42
	OUT10	O2		LTCA2 Output 10
	SLSO22	O3		SSC2 Slave Select Output 2
4	P5.3	I/O0	A1+/ PU	Port 5 General Purpose I/O Line 3
	IN43	I		GPTA0 Input 43
	OUT43	O1		GPTA0 Output 43
	OUT11	O2		LTCA2 Output 11
	SLSO23	O3		SSC2 Slave Select Output 3

Pinning TC1782 Pin Configuration

Table 2 Pin Definitions and Functions (PG-LQFP-176-10 / PG-LQFP-176-20 Package) (cont'd)

Pin	Symbol	Ctrl.	Type	Function
5	P5.4	I/O0	A1+/ PU	Port 5 General Purpose I/O Line 4
	IN44	I		GPTA0 Input 44
	IN29	I		LTCA2 Input 29
	SLSI2A	I		SSC2 Slave Select Input A
	OUT44	O1		GPTA0 Output 44
	OUT12	O2		LTCA2 Output 12
	SLSO24	O3		SSC2 Slave Select Output 4
6	P5.5	I/O0	A1+/ PU	Port 5 General Purpose I/O Line 5
	IN45	I		GPTA0 Input 45
	IN30	I		LTCA2 Input 30
	MRST2A	I		SSC2 Master Receive Input (Master Mode)
	OUT45	O1		GPTA0 Output 45
	OUT13	O2		LTCA2 Output 13
	MRST2	O3		SSC2 Master Transmit Input (Slave Mode)
7	P5.6	I/O0	A1+/ PU	Port 5 General Purpose I/O Line 6
	IN46	I		GPTA0 Input 46
	IN31	I		LTCA2 Input 31
	MTR2A	I		SSC2 Slave Receive Input (Slave Mode)
	OUT46	O1		GPTA0 Output 46
	OUT14	O2		LTCA2 Output 14
	MTR2	O3		SSC2 Master Transmit Output (Master Mode)
8	P5.7	I/O0	A1+/ PU	Port 5 General Purpose I/O Line 7
	IN47	I		GPTA0 Input 47
	SCLK2A	I		SSC2 Clock Input (Slave Mode)
	OUT47	O1		GPTA0 Output 47
	OUT15	O2		LTCA2 Output 15
	SCLK2	O3		SSC2 Clock Output (Master Mode)

Pinning TC1782 Pin Configuration

Table 2 Pin Definitions and Functions (PG-LQFP-176-10 / PG-LQFP-176-20 Package) (cont'd)

Pin	Symbol	Ctrl.	Type	Function
13	P5.8	I/O0	A2/ PU	Port 5 General Purpose I/O Line 8
	RDATA0B	I		MLI0 Receiver Data Input B
	Reserved	O1		-
	TXDA1	O2		E-Ray Channel A transmit Data Output ¹⁾
	OUT89	O3		LTCA2 Output 89
14	P5.9	I/O0	A2/ PU	Port 5 General Purpose I/O Line 9
	RVALID0B	I		MLI0 Receiver Data Valid Input B
	Reserved	O1		-
	TXDB1	O2		E-Ray Channel B transmit Data Output ¹⁾
	OUT90	O3		LTCA2 Output 90
15	P5.10	I/O0	A2/ PU	Port 5 General Purpose I/O Line 10
	RREADY0B	O1		MLI0 Receiver Ready Input B
	TXENA	O2		E-Ray Channel A transmit Data Output enable ¹⁾
	OUT91	O3		LTCA2 Output 91
16	P5.11	I/O0	A2/ PU	Port 5 General Purpose I/O Line 11
	RCLK0B	I		MLI0 Receiver Clock Input B
	Reserved	O1		-
	TXENB	O2		E-Ray Channel B transmit Data Output enable ¹⁾
	OUT92	O3		LTCA2 Output 92
17	P5.12	I/O0	A1+/ PU	Port 5 General Purpose I/O Line 12
	TDATA0	O1		MLI0 Transmitter Data Output
	SLSO07	O2		SSC0 Slave Select Output 7
	OUT93	O3		LTCA2 Output 93
18	P5.13	I/O0	A1+/ PU	Port 5 General Purpose I/O Line 13
	TVALID0B	O1		MLI0 Transmitter Valid Input B
	SLSO16	O2		SSC1 Slave Select Output 6
	Reserved	O3		-

Pinning TC1782 Pin Configuration

Table 2 Pin Definitions and Functions (PG-LQFP-176-10 / PG-LQFP-176-20 Package) (cont'd)

Pin	Symbol	Ctrl.	Type	Function
19	P5.14	I/O0	A1+/ PU	Port 5 General Purpose I/O Line 14
	TREADY0B	I		MLI0 Transmitter Ready Input B
	RXDA1	I		E-Ray Channel A Receive Data Input 1 ¹⁾
	Reserved	O1		-
	Reserved	O2		-
	OUT94	O3		LTCA2 Output 94
9	P5.15	I/O0	A1+/ PU	Port 5 General Purpose I/O Line 15
	RXDB1	I		E-Ray Channel B Receive Data Input 1 ¹⁾
	TCLK0	O1		MLI0 Transmitter Clock Output
	Reserved	O2		-
	OUT95	O3		LTCA2 Output 95
Port 6				
156	P6.0	I/O0	A1/ F/ PU	Port 6 General Purpose I/O Line 0
	IN14	I		LTCA2 Input 14
	FCLN0	O1		MSC0 Clock Output Negative
	OUT80	O2		GPTA0 Output 80
	OUT4	O3		LTCA2 Output 4
157	P6.1	I/O0	A1/ F/ PU	Port 6 General Purpose I/O Line 1
	IN15	I		LTCA2 Input 15
	FCLP0A	O1		MSC0 Clock Output Positive A
	OUT81	O2		GPTA0 Output 81
	OUT5	O3		LTCA2 Output 5
158	P6.2	I/O0	A1/ F/ PU	Port 6 General Purpose I/O Line 2
	IN24	I		LTCA2 Input 24
	SON0	O1		MSC0 Serial Data Output Negative
	OUT82	O2		GPTA0 Output 82
	OUT6	O3		LTCA2 Output 6

Pinning TC1782 Pin Configuration
Table 2 Pin Definitions and Functions (PG-LQFP-176-10 / PG-LQFP-176-20 Package) (cont'd)

Pin	Symbol	Ctrl.	Type	Function
159	P6.3	I/O0	A1/ F/ PU	Port 6 General Purpose I/O Line 3
	IN25	I		LTCA2 Input 25
	SOP0A	O1		MSC0 Serial Data Output Positive A
	OUT83	O2		GPTA0 Output 83
	OUT7	O3		LTCA2 Output 7

Analog Input Port

67	AN0	I	D	ADC0 Analog Input Channel 0
66	AN1	I	D	ADC0 Analog Input Channel 1
65	AN2	I	D	ADC0 Analog Input Channel 2
64	AN3	I	D	ADC0 Analog Input Channel 3
63	AN4	I	D	ADC0 Analog Input Channel 4
62	AN5	I	D	ADC0 Analog Input Channel 5
61	AN6	I	D	ADC0 Analog Input Channel 6
36	AN7	I	D	ADC0 Analog Input Channel 7
60	AN8	I	D	ADC0 Analog Input Channel 8
59	AN9	I	D	ADC0 Analog Input Channel 9
58	AN10	I	D	ADC0 Analog Input Channel 10
57	AN11	I	D	ADC0 Analog Input Channel 11
56	AN12	I	D	ADC0 Analog Input Channel 12
55	AN13	I	D	ADC0 Analog Input Channel 13
50	AN14	I	D	ADC0 Analog Input Channel 14
49	AN15	I	D	ADC0 Analog Input Channel 15
48	AN16	I	D	ADC1 Analog Input Channel 16
47	AN17	I	D	ADC1 Analog Input Channel 17
46	AN18	I	D	ADC1 Analog Input Channel 18
45	AN19	I	D	ADC1 Analog Input Channel 19
44	AN20	I	D	ADC1 Analog Input Channel 20
43	AN21	I	D	ADC1 Analog Input Channel 21
42	AN22	I	D	ADC1 Analog Input Channel 22
41	AN23	I	D	ADC1 Analog Input Channel 23

Pinning TC1782 Pin Configuration

Table 2 Pin Definitions and Functions (PG-LQFP-176-10 / PG-LQFP-176-20 Package) (cont'd)

Pin	Symbol	Ctrl.	Type	Function
40	AN24	I	D	ADC1 Analog Input Channel 24
39	AN25	I	D	ADC1 Analog Input Channel 25
38	AN26	I	D	ADC1 Analog Input Channel 26
37	AN27	I	D	ADC1 Analog Input Channel 27
35	AN28	I	D	ADC1 / FADC Analog Input Channel 28
34	AN29	I	D	ADC1 / FADC Analog Input Channel 29
33	AN30	I	D	ADC1 / FADC Analog Input Channel 30
32	AN31	I	D	ADC1 / FADC Analog Input Channel 31
31	AN32	I	D	FADC Analog Input P Channel 0
30	AN33	I	D	FADC Analog Input N Channel 0
29	AN34	I	D	FADC Analog Input P Channel 1
28	AN35	I	D	FADC Analog Input N Channel 1
54	V _{DDM}	-	-	ADC Analog Part Power Supply (3.3V - 5V)
53	V _{S_{SM}}	-	-	ADC Analog Part Ground
52	V _{AREF0}	-	-	ADC0 and ADC1 Reference Voltage
51	V _{AGND0}	-	-	ADC Reference Ground
24	V _{DDMF}	-	-	FADC Analog Part Power Supply (3.3V)
23	V _{DDAF}	-	-	FADC Analog Part Logic Power Supply (1.3V)
25	V _{S_{SMF}}	-	-	FADC Analog Part Ground
	V _{S_{SAF}}	-	-	FADC Analog Part Ground
26	V _{FAREF}	-	-	FADC Reference Voltage
27	V _{FAGND}	-	-	FADC Reference Ground
10, 21 ²⁾ , 68, 84, 91, 99, 123, 153, 170 2)	V _{DD}	-	-	Digital Core Power Supply (1.3V)

Pinning TC1782 Pin Configuration

Table 2 Pin Definitions and Functions (PG-LQFP-176-10 / PG-LQFP-176-20 Package) (cont'd)

Pin	Symbol	Ctrl.	Type	Function
11, 20, 69, 83, 89, 100, 124, 139, 154, 171	V_{DDP}	-	-	Port Power Supply (3.3V)
12, 22, 70, 82, 85, 92, 101, 125, 140, 155, 172	V_{SS}	-	-	Digital Ground
105	V_{DDOSC}	-	-	Main Oscillator and PLL Power Supply (1.3V)
106	V_{DDOSC3}	-	-	Main Oscillator Power Supply (3.3V)
104	V_{SSOSC}	-	-	Main Oscillator and PLL Ground
141	V_{DDFL3}	-	-	Power Supply for Flash (3.3V)
102	XTAL1	I		Main Oscillator Input
103	XTAL2	O		Main Oscillator Output
111	TDI	I	A2/ PU	JTAG Serial Data Input
	BRKIN	I		OCDS Break Input Line
	BRKOUT	O		OCDS Break Output Line
112	TMS	I	A2/ PD	JTAG State Machine Control Input
	DAP1	I/O		Device Access Port Line 1

Pinning TC1782 Pin Configuration

Table 2 Pin Definitions and Functions (PG-LQFP-176-10 / PG-LQFP-176-20 Package) (cont'd)

Pin	Symbol	Ctrl.	Type	Function
113	TDO	I/O	A2/ PU	JTAG Serial Data Output
	DAP2	I/O		Device Access Port Line 2
	BRKIN	I		OCDS Break Input Line
	BRKOUT	O		OCDS Break Output Line
114	TRST	I	I / PD	JTAG Reset Input
115	TCK	I	A1/ PD	JTAG Clock Input
	DAP0	I		Device Access Port Line 0
118	TESTMODE	I	I / PU	Test Mode Select Input
120	ESR1	I/O	A2/ PD	External System Request Reset Input 1
121	PORST	I	I / PD	Power On Reset Input
122	ESR0	I/O	A2	External System Request Reset Input 0 Default configuration during and after reset is open-drain driver. The driver drives low during power-on reset.

1) Only available for SAK-TC1782F-320F180HR, SAK-TC1782F-320F180HL, and SAK-TC1782F-320F160HR.

2) For the emulation device (ED), this pin is bonded to VDDSB (ED Stand By RAM supply). In the production device, this pin is bonded to a VDD pad.

Legend for Table 2

Column “Ctrl.”:

I = Input (for GPIO port lines with IOCR bit field selection $PC_x = 0XXX_B$)

O = Output

O0 = Output with IOCR bit field selection $PC_x = 1X00_B$

O1 = Output with IOCR bit field selection $PC_x = 1X01_B$ (ALT1)

O2 = Output with IOCR bit field selection $PC_x = 1X10_B$ (ALT2)

O3 = Output with IOCR bit field selection $PC_x = 1X11$ (ALT3)

Column “Type”:

A1 = Pad class A1 (LVTTTL)

A1+ = Pad class A1+ (LVTTTL)

A2 = Pad class A2 (LVTTTL)

PinningTC1782 Pin Configuration

F = Pad class F (LVDS/CMOS)

D = Pad class D (ADC)

I = Pad class I (LVTTTL)

PU = with pull-up device connected during reset ($\overline{\text{PORST}} = 0$)

PD = with pull-down device connected during reset ($\overline{\text{PORST}} = 0$)

TR = tri-state during reset ($\overline{\text{PORST}} = 0$)

4 Identification Registers

The Identification Registers uniquely identify the whole device.

Table 3 SAK-TC1782F-320F180HR Identification Registers

Short Name	Value	Address	Stepping
CBS_JDPID	0000 6350 _H	F000 0408 _H	BA
CBS_JTAGID	1018 E083 _H	F000 0464 _H	BA
SCU_CHIPID	8500 9310 _H	F000 0640 _H	BA
SCU_MANID	0000 1820 _H	F000 0644 _H	BA
SCU_RTID	0000 0000 _H	F000 0648 _H	BA

Table 4 SAK-TC1782F-320F180HL Identification Registers

Short Name	Value	Address	Stepping
CBS_JDPID	0000 6350 _H	F000 0408 _H	BA
CBS_JTAGID	1018 E083 _H	F000 0464 _H	BA
SCU_CHIPID	0500 9310 _H	F000 0640 _H	BA
SCU_MANID	0000 1820 _H	F000 0644 _H	BA
SCU_RTID	0000 0000 _H	F000 0648 _H	BA

Table 5 SAK-TC1782N-320F180HR Identification Registers

Short Name	Value	Address	Stepping
CBS_JDPID	0000 6350 _H	F000 0408 _H	BA
CBS_JTAGID	1018 E083 _H	F000 0464 _H	BA
SCU_CHIPID	8500 9410 _H	F000 0640 _H	BA
SCU_MANID	0000 1820 _H	F000 0644 _H	BA
SCU_RTID	0000 0000 _H	F000 0648 _H	BA

Table 6 SAK-TC1782N-320F180HL Identification Registers

Short Name	Value	Address	Stepping
CBS_JDPID	0000 6350 _H	F000 0408 _H	BA
CBS_JTAGID	1018 E083 _H	F000 0464 _H	BA
SCU_CHIPID	0500 9410 _H	F000 0640 _H	BA

Identification Registers
Table 6 SAK-TC1782N-320F180HL Identification Registers (cont'd)

Short Name	Value	Address	Stepping
SCU_MANID	0000 1820 _H	F000 0644 _H	BA
SCU_RTID	0000 0000 _H	F000 0648 _H	BA

Table 7 SAK-TC1782N-256F133HR Identification Registers

Short Name	Value	Address	Stepping
CBS_JDPID	0000 6350 _H	F000 0408 _H	BA
CBS_JTAGID	1018 E083 _H	F000 0464 _H	BA
SCU_CHIPID	9400 9410 _H	F000 0640 _H	BA
SCU_MANID	0000 1820 _H	F000 0644 _H	BA
SCU_RTID	0000 0000 _H	F000 0648 _H	BA

Table 8 SAK-TC1782N-256F133HL Identification Registers

Short Name	Value	Address	Stepping
CBS_JDPID	0000 6350 _H	F000 0408 _H	BA
CBS_JTAGID	1018 E083 _H	F000 0464 _H	BA
SCU_CHIPID	1400 9410 _H	F000 0640 _H	BA
SCU_MANID	0000 1820 _H	F000 0644 _H	BA
SCU_RTID	0000 0000 _H	F000 0648 _H	BA

Table 9 SAK-TC1782F-320F160HR Identification Registers

Short Name	Value	Address	Stepping
CBS_JDPID	0000 6350 _H	F000 0408 _H	BA
CBS_JTAGID	1018 E083 _H	F000 0464 _H	BA
SCU_CHIPID	A500 9310 _H	F000 0640 _H	BA
SCU_MANID	0000 1820 _H	F000 0644 _H	BA
SCU_RTID	0000 0000 _H	F000 0648 _H	BA

Identification Registers
Table 10 SAK-TC1782F-320F160HL Identification Registers

Short Name	Value	Address	Stepping
CBS_JDPID	0000 6350 _H	F000 0408 _H	BA
CBS_JTAGID	1018 E083 _H	F000 0464 _H	BA
SCU_CHIPID	2500 9310 _H	F000 0640 _H	BA
SCU_MANID	0000 1820 _H	F000 0644 _H	BA
SCU_RTID	0000 0000 _H	F000 0648 _H	BA

Table 11 SAK-TC1782N-320F160HR Identification Registers

Short Name	Value	Address	Stepping
CBS_JDPID	0000 6350 _H	F000 0408 _H	BA
CBS_JTAGID	1018 E083 _H	F000 0464 _H	BA
SCU_CHIPID	A500 9410 _H	F000 0640 _H	BA
SCU_MANID	0000 1820 _H	F000 0644 _H	BA
SCU_RTID	0000 0000 _H	F000 0648 _H	BA

Table 12 SAK-TC1782N-320F160HL Identification Registers

Short Name	Value	Address	Stepping
CBS_JDPID	0000 6350 _H	F000 0408 _H	BA
CBS_JTAGID	1018 E083 _H	F000 0464 _H	BA
SCU_CHIPID	2500 9410 _H	F000 0640 _H	BA
SCU_MANID	0000 1820 _H	F000 0644 _H	BA
SCU_RTID	0000 0000 _H	F000 0648 _H	BA

5 Electrical Parameters

This specification provides all electrical parameters of the TC1782.

5.1 General Parameters

5.1.1 Parameter Interpretation

The parameters listed in this section partly represent the characteristics of the TC1782 and partly its requirements on the system. To aid interpreting the parameters easily when evaluating them for a design, they are marked with an two-letter abbreviation in column "Symbol":

- **CC**
Such parameters indicate **C**ontroller **C**haracteristics which are a distinctive feature of the TC1782 and must be regarded for a system design.
- **SR**
Such parameters indicate **S**ystem **R**equirements which must provided by the microcontroller system in which the TC1782 designed in.

Electrical Parameters General Parameters

5.1.2 Pad Driver and Pad Classes Summary

This section gives an overview on the different pad driver classes and its basic characteristics. More details (mainly DC parameters) are defined in the [Section 5.2.1](#).

Table 13 Pad Driver and Pad Classes Overview

Class	Power Supply	Type	Sub Class	Speed Grade ¹⁾	Load ¹⁾	Leakage 150°C ¹⁾	Termination
A	3.3 V	LVTTL I/O, LVTTL outputs	A1 (e.g. GPIO)	6 MHz	100 pF	500 nA	No
			A1+ (e.g. serial I/Os)	25 MHz	50 pF	1 μA	Series termination recommended
			A2 (e.g. serial I/Os)	40 MHz	50 pF	3 μA	Series termination recommended
F	3.3 V	LVDS	–	50 MHz	–	–	Parallel termination, 100 Ω ± 10% ²⁾
		CMOS	–	6 MHz	50 pF	–	
D _E	5 V	ADC	–	–	–	–	
I	3.3 V	LVTTL (input only)	–	–	–	–	

1) These values show typical application configurations for the pad. Complete and detailed pad parameters are available in the individual pad parameter table on the following pages.

2) In applications where the LVDS pins are not used (disabled), these pins must be either left unconnected, or properly terminated with the differential parallel termination of 100 Ω ± 10%.

Electrical Parameters General Parameters

5.1.3 Absolute Maximum Ratings

Stresses above the values listed under “Absolute Maximum Ratings” may cause permanent damage to the device. This is a stress rating only and functional operation of the device at these or any other conditions above those indicated in the operational sections of this specification is not implied. Exposure to absolute maximum rating conditions may affect device reliability.

Table 14 Absolute Maximum Rating Parameters

Parameter	Symbol		Values			Unit	Note / Test Condition
			Min.	Typ.	Max.		
Storage temperature	T_{ST}	SR	-65	–	150	°C	
Voltage at 1.3 V power supply pins with respect to V_{SS}	V_{DD}	SR	–	–	2.0	V	
Voltage at 3.3 V power supply pins with respect to V_{SS}	V_{DDP} SR		–	–	4.33	V	
Voltage at 5 V power supply pins with respect to V_{SS}	V_{DDM}	SR	–	–	7.0	V	
Voltage on any Class A input pin and dedicated input pins with respect to V_{SS}	V_{IN}	SR	-0.6	–	$V_{DDP} + 0.7$ or max. 4.33	V	Whatever is lower
Voltage on any Class D analog input pin with respect to V_{AGND0}	V_{AIN} V_{AREF0}	SR	-0.6	–	7.0	V	
Voltage on any shared Class D analog input pin with respect to V_{SSAF} , if the FADC is switched through to the pin.	V_{AINF}	SR	-0.6	–	7.0	V	
Input current on any pin during overload condition	I_{IN}		-10	–	+10	mA	
Absolute maximum sum of all input circuit currents for one port group during overload condition ¹⁾	I_{IN}		-25	–	+25	mA	
Absolute maximum sum of all input circuit currents during overload condition	ΣI_{IN}		–	–	200	mA	

1) The port groups are defined in [Table 19](#).

5.1.4 Pin Reliability in Overload

When receiving signals from higher voltage devices, low-voltage devices experience overload currents and voltages that go beyond their own IO power supplies specification.

Table 15 defines overload conditions that will not cause any negative reliability impact if all the following conditions are met:

- full operation life-time (24000 h) is not exceeded
- **Operating Conditions** are met for
 - pad supply levels (V_{DDP} or V_{DDM})
 - temperature

If a pin current is out of the **Operating Conditions** but within the overload parameters, then the parameters functionality of this pin as stated in the Operating Conditions can no longer be guaranteed. Operation is still possible in most cases but with relaxed parameters.

Note: An overload condition on one or more pins does not require a reset.

Table 15 Overload Parameters

Parameter	Symbol	Values			Unit	Note / Test Condition
		Min.	Typ.	Max.		
Input current on any digital pin during overload condition except LVDS pins	I_{IN}	-5	–	+5	mA	
Input current on LVDS pins	I_{INLVDS}	-3	–	+3	mA	
Absolute sum of all input circuit currents for one port group during overload condition ¹⁾	I_{ING}	-20	–	+20	mA	
Input current on analog pins	I_{INANA}	-3	–	+3	mA	
Absolute sum of all analog input currents for analog inputs of a single ADC during overload condition	I_{INSAS}	-15	–	+15	mA	
Absolute sum of all input circuit currents during overload condition	ΣI_{INS}	-100	–	100	mA	

1) The port groups are defined in **Table 19**.

Note: FADC input pins count as analog pin as they are overlaid with an ADC pins.

Electrical Parameters General Parameters

Table 16 PN-Junction Characteristics for positive Overload

Pad Type	$I_{IN} = 3 \text{ mA}$	$I_{IN} = 5 \text{ mA}$
A1 / A1+ / F	$U_{IN} = V_{DDP} + 0.6 \text{ V}$	$U_{IN} = V_{DDP} + 0.7 \text{ V}$
A2	$U_{IN} = V_{DDP} + 0.5 \text{ V}$	$U_{IN} = V_{DDP} + 0.6 \text{ V}$
LVDS	$U_{IN} = V_{DDP} + 0.7 \text{ V}$	-
D	$U_{IN} = V_{DDM} + 0.6 \text{ V}$	-

Table 17 PN-Junction Characteristics for negative Overload

Pad Type	$I_{IN} = -3 \text{ mA}$	$I_{IN} = -5 \text{ mA}$
A1 / A1+ / F	$U_{IN} = V_{SS} - 0.6 \text{ V}$	$U_{IN} = V_{SS} - 0.7 \text{ V}$
A2	$U_{IN} = V_{SS} - 0.5 \text{ V}$	$U_{IN} = V_{SS} - 0.6 \text{ V}$
LVDS	$U_{IN} = V_{SS} - 0.7 \text{ V}$	-
D	$U_{IN} = V_{SSM} - 0.6 \text{ V}$	-

Note: A series resistor at the pin to limit the current to the maximum permitted overload current is sufficient to handle failure situations like short to battery without having any negative reliability impact on the operational life-time.

Electrical Parameters General Parameters

5.1.5 Operating Conditions

The following operating conditions must not be exceeded in order to ensure correct operation and reliability of the TC1782.

Digital supply voltages applied to the TC1782 must be static regulated voltages which allow a typical voltage swing of $\pm 5\%$.

All parameters specified in the following tables refer to these operating conditions (**Table 18**), unless otherwise noticed in the Note / Test Condition column.

The **Voltage Operating Timing Profiles** did not increase area of validity of the parameters defined in table 8 and later.

Table 18 Operating Conditions Parameters

Parameter	Symbol	Values			Unit	Note / Test Condition
		Min.	Typ.	Max.		
Overload coupling factor for analog inputs, negative	K_{OVAN} CC	–	–	0.000 1		$I_{OV} \leq 0$ mA; $I_{OV} \geq -2$ mA; analog pad= 5.0 V
Overload coupling factor for analog inputs, positive	K_{OVAP} CC	–	–	0.000 01		$I_{OV} \leq 3$ mA; $I_{OV} \geq 0$ mA; analog pad= 5.0 V
CPU Frequency	f_{CPU} SR	–	–	133	MHz	SAK-TC1782N-256F133HR / SAK-TC1782N-256F133HL
		–	–	180	MHz	SAK-TC1782F-320F180HR / SAK-TC1782F-320F180HL / SAK-TC1782N-320F180HR / SAK-TC1782N-320F180HL
		–	–	160	MHz	SAK-TC1782F-320F160HR / SAK-TC1782F-320F160HL / SAK-TC1782N-320F160HR / SAK-TC1782N-320F160HL

Electrical Parameters General Parameters
Table 18 Operating Conditions Parameters (cont'd)

Parameter	Symbol	Values			Unit	Note / Test Condition
		Min.	Typ.	Max.		
FPI bus frequency	$f_{\text{FPI SR}}$	–	–	90	MHz	SAK-TC1782F-320F180HR / SAK-TC1782F-320F180HL / SAK-TC1782N-320F180HR / SAK-TC1782N-320F180HL / SAK-TC1782F-256F133HR / SAK-TC1782F-256F133HL / SAK-TC1782N-256F133HR / SAK-TC1782N-256F133HL
		–	–	80	MHz	SAK-TC1782F-320F160HR / SAK-TC1782F-320F160HL / SAK-TC1782N-320F160HR / SAK-TC1782N-320F160HL

Electrical Parameters General Parameters
Table 18 Operating Conditions Parameters (cont'd)

Parameter	Symbol	Values			Unit	Note / Test Condition
		Min.	Typ.	Max.		
LMB frequency	f_{LMB} CC	–	–	133	MHz	SAK-TC1782N-256F133HR / SAK-TC1782N-256F133HL
		–	–	180	MHz	SAK-TC1782F-320F180HR / SAK-TC1782F-320F180HL / SAK-TC1782N-320F180HR / SAK-TC1782N-320F180HL
		–	–	160	MHz	SAK-TC1782F-320F160HR / SAK-TC1782F-320F160HL / SAK-TC1782N-320F160HR / SAK-TC1782N-320F160HL

Electrical Parameters General Parameters

Table 18 Operating Conditions Parameters (cont'd)

Parameter	Symbol	Values			Unit	Note / Test Condition
		Min.	Typ.	Max.		
PCP Frequency	f_{PCP} SR	–	–	133	MHz	SAK-TC1782N-256F133HR / SAK-TC1782N-256F133HL
		–	–	180	MHz	SAK-TC1782F-320F180HR / SAK-TC1782F-320F180HL / SAK-TC1782N-320F180HR / SAK-TC1782N-320F180HL
		–	–	160	MHz	SAK-TC1782F-320F160HR / SAK-TC1782F-320F160HL / SAK-TC1782N-320F160HR / SAK-TC1782N-320F160HL
Inactive device pin current	I_{ID} SR	-1	–	1	mA	All power supply voltages $V_{DDx} = 0$
Short circuit current of digital outputs ¹⁾	I_{SC} SR	-5	–	5	mA	
Absolute sum of short circuit currents of the device	ΣI_{SC_D} CC	–	–	100	mA	
Absolute sum of short circuit currents per pin group	ΣI_{SC_PG} CC	–	–	20	mA	
Ambient Temperature	T_A SR	-40	–	125	°C	
Junction temperature	T_J SR	-40	–	150	°C	

Electrical Parameters General Parameters

Table 18 Operating Conditions Parameters (cont'd)

Parameter	Symbol	Values			Unit	Note / Test Condition
		Min.	Typ.	Max.		
Core Supply Voltage	V_{DD} SR	1.235	1.3	1.365 ²⁾	V	SAK-TC1782F-320F180HR / SAK-TC1782F-320F180HL / SAK-TC1782N-320F180HR / SAK-TC1782N-320F180HL / SAK-TC1782N-256F133HR / SAK-TC1782N-256F133HL; for duration limitation see Voltage Operating Timing Profiles
		1.17	1.3	1.43 ²⁾	V	SAK-TC1782F-320F160HR / SAK-TC1782F-320F160HL / SAK-TC1782N-320F160HR / SAK-TC1782N-320F160HL; for duration limitation see Voltage Operating Timing Profiles
Flash supply voltage 3.3V	V_{DDFL3} SR	2.97	3.3	3.63 ⁴⁾	V	for duration limitation see Voltage Operating Timing Profiles
ADC analog supply voltage	V_{DDM} SR	2.97	3.3	5.5 ³⁾	V	

Electrical Parameters General Parameters

Table 18 Operating Conditions Parameters (cont'd)

Parameter	Symbol	Values			Unit	Note / Test Condition
		Min.	Typ.	Max.		
Oscillator core supply voltage	V _{DDOSC} SR	1.235	1.3	1.365 ²⁾	V	SAK-TC1782F-320F180HR / SAK-TC1782F-320F180HL / SAK-TC1782N-320F180HR / SAK-TC1782N-320F180HL / SAK-TC1782N-256F133HR / SAK-TC1782N-256F133HL; for duration limitation see Voltage Operating Timing Profiles
		1.17	1.3	1.43 ²⁾	V	SAK-TC1782F-320F160HR / SAK-TC1782F-320F160HL / SAK-TC1782N-320F160HR / SAK-TC1782N-320F160HL; for duration limitation see Voltage Operating Timing Profiles
Oscillator 3.3V supply voltage	V _{DDOSC3} SR	2.97	3.3	3.63 ⁴⁾	V	for duration limitation see Voltage Operating Timing Profiles
Digital supply voltage for IO pads	V _{DDP} SR	2.97	3.3	3.63 ⁴⁾	V	for duration limitation see Voltage Operating Timing Profiles

Electrical Parameters General Parameters

Table 18 Operating Conditions Parameters (cont'd)

Parameter	Symbol	Values			Unit	Note / Test Condition
		Min.	Typ.	Max.		
VDDP voltage to ensure defined pad states ⁵⁾	V_{DDPPA} CC	0.65	–	–	V	
Digital ground voltage	V_{SS} SR	0	–	–	V	
Analog ground voltage for V_{DDM}	V_{SSM} SR	-0.1	0	0.1	V	
Analog core supply	V_{DDAF} SR	1.235	1.3	1.365 ²⁾	V	SAK-TC1782F-320F180HR / SAK-TC1782F-320F180HL / SAK-TC1782N-320F180HR / SAK-TC1782N-320F180HL / SAK-TC1782N-256F133HR / SAK-TC1782N-256F133HL; for duration limitation see Voltage Operating Timing Profiles
		1.17	1.3	1.43 ²⁾	V	SAK-TC1782F-320F160HR / SAK-TC1782F-320F160HL / SAK-TC1782N-320F160HR / SAK-TC1782N-320F160HL; for duration limitation see Voltage Operating Timing Profiles

Electrical Parameters General Parameters

Table 18 Operating Conditions Parameters (cont'd)

Parameter	Symbol	Values			Unit	Note / Test Condition
		Min.	Typ.	Max.		
FADC / ADC analog supply voltage	V_{DDMF} SR	2.97	3.3	3.63 ⁴⁾	V	for duration limitation see Voltage Operating Timing Profiles
Analog ground voltage for V_{DDMF}	V_{SSAF} SR	-0.1	0	0.1	V	

- 1) Applicable for digital outputs.
- 2) Voltage overshoot to 1.7V is permissible at Power-Up and \overline{PORST} low, provided the pulse duration is less than 100 μ s and the cumulated sum of the pulses does not exceed 1 h.
- 3) Voltage overshoot to 6.5V is permissible at Power-Up and \overline{PORST} low, provided the pulse duration is less than 100 μ s and the cumulated sum of the pulses does not exceed 1 h.
- 4) Voltage overshoot to 4.0V is permissible at Power-Up and \overline{PORST} low, provided the pulse duration is less than 100 μ s and the cumulated sum of the pulses does not exceed 1 h.
- 5) This parameter is valid under the assumption the \overline{PORST} signal is constantly at low level during the power-up/power-down of V_{DDP} .

Voltage Operating Timing Profiles

- $1.3V < V_{DD} / V_{DDOSC} / V_{DDAF} < 1.3V + 5\%$:
 - limited to Operation Lifetime (t_{OP}) (see [Table 46](#))
- $1.3V + 5\% < V_{DD} / V_{DDOSC} / V_{DDAF} < 1.3V + 7.5\%$ (overvoltage condition):
 - limited to 10000 hour duration cumulative in lifetime, due to the reliability reduction of the chip caused by the overvoltage stress.
- $1.3V + 7.5\% < V_{DD} / V_{DDOSC} / V_{DDAF} < 1.3V + 10\%$ (overvoltage condition):
 - limited to 1000 hour duration cumulative in lifetime, due to the reliability reduction of the chip caused by the overvoltage stress.
- $3.3V < V_{DDP} / V_{DDOSC3} / V_{DDFL3} / V_{DDMF} < 3.3V + 5\%$:
 - limited to Operation Lifetime (t_{OP}) (see [Table 46](#))
- $V_{DDP} / V_{DDOSC3} / V_{DDFL3} / V_{DDMF} < 3.3V + 10\%$
 - $3.3V + 5\% < V_{DDP} / V_{DDOSC3} / V_{DDFL3} / V_{DDMF} < 3.3V + 10\%$ (overvoltage condition):
 - limited to 1000 hour duration cumulative in lifetime, due to the reliability reduction of the chip caused by the overvoltage stress.
- $5V < V_{DDM} < 5V + 10\%$:
 - limited to Operation Lifetime (t_{OP}) (see [Table 46](#))

Table 19 Pin Groups for Overload / Short-Circuit Current Sum Parameter

Group	Pins
1	P5.[7:2], P5.15
2	P5.[9:8]
3	P5.[11:10]
4	P5.[14:12]
5	P1.[14:12], P2.0
6	P2.[4:1]
7	P2.[7:5]
8	P4.[2:0]
9	P4.3
10	P1.2, P1.8
11	P1.[10:9]
12	P1.3, P1.11
13	P1.[7:4]
14	P1.[1:0], P1.15
15	P3.[8:5], P3.[3:2]
16	P3.[1:0], P3.4, P3.[10:9], P3.[15:14]
17	P0.[1:0], P3.[13:11]
18	P0.[3:2], P0.[9:8]
19	P0.[11:10]
20	P6.[3:0]
21	P2.[13:8]
22	P0.[5:4], P0.[13:12]
23	P0.[7:6], P0.[15:14], P5.[1:0]

Electrical Parameters DC Parameters

5.2 DC Parameters

5.2.1 Input/Output Pins

Table 20 Standard_Pads Parameters

Parameter	Symbol	Values			Unit	Note / Test Condition
		Min.	Typ.	Max.		
Pin capacitance (digital inputs/outputs)	C_{IO} CC	–	–	10	pF	$T_A = 25\text{ }^\circ\text{C}$; $f = 1\text{ MHz}$
Pull-down current	$ I_{PDL} $ CC	–	–	150	μA	$V_i \geq 0.6 \times V_{DDP}$ V
		10	–	–	μA	$V_i \geq 0.36 \times V_{DDP}$ V
Pull-Up current	$ I_{PUH} $ CC	10	–	–	μA	$V_i \leq 0.6 \times V_{DDP}$ V
		–	–	100	μA	$V_i \leq 0.36 \times V_{DDP}$ V
Spike filter always blocked pulse duration	t_{SF1} CC	–	–	10	ns	only PORST pin
Spike filter pass-through pulse duration	t_{SF2} CC	100	–	–	ns	only PORST pin

Table 21 Standard_Pads Class_A1

Parameter	Symbol	Values			Unit	Note / Test Condition
		Min.	Typ.	Max.		
Input Hysteresis for A1 pads ¹⁾	HYS_{A1} CC	$0.1 \times V_{DDP}$	–	–	V	
Input Leakage Current Class A1	I_{OZA1} CC	-500	–	500	nA	$V_i \geq 0\text{ V}$; $V_i \leq V_{DDP}$ V
Ratio V_{iL}/V_{iH} , A1 pads	V_{iLA1} / V_{iHA1} CC	0.6	–	–		
On-Resistance of the class A1 pad, weak driver	R_{DSONW} CC	–	450	600	Ohm	$I_{OH} < -0.5\text{ mA}$; P_MOS
		–	210	340	Ohm	$I_{OL} < 0.5\text{ mA}$; N_MOS

Electrical Parameters DC Parameters

Table 21 Standard_Pads Class_A1 (cont'd)

Parameter	Symbol	Values			Unit	Note / Test Condition
		Min.	Typ.	Max.		
On-Resistance of the class A1 pad, medium driver	R_{DSONM} CC	–	–	155	Ohm	$I_{\text{OH}} < -2 \text{ mA}$; P_MOS
		–	–	110	Ohm	$I_{\text{OL}} < 2 \text{ mA}$; N_MOS
Fall time, pad type A1	t_{FA1} CC	–	–	150	ns	$C_{\text{L}} = 20 \text{ pF}$; pin out driver= weak
		–	–	50	ns	$C_{\text{L}} = 50 \text{ pF}$; pin out driver= medium
		–	–	140	ns	$C_{\text{L}} = 150 \text{ pF}$; pin out driver= medium
		–	–	550	ns	$C_{\text{L}} = 150 \text{ pF}$; pin out driver= weak
		–	–	18000	ns	$C_{\text{L}} = 20000 \text{ pF}$; pin out driver= medium
		–	–	65000	ns	$C_{\text{L}} = 20000 \text{ pF}$; pin out driver= weak

Electrical Parameters DC Parameters

Table 21 Standard_Pads Class_A1 (cont'd)

Parameter	Symbol	Values			Unit	Note / Test Condition
		Min.	Typ.	Max.		
Rise time, pad type A1	t_{RA1} CC	–	–	150	ns	$C_L = 20$ pF; pin out driver= weak
		–	–	50	ns	$C_L = 50$ pF; pin out driver= medium
		–	–	140	ns	$C_L = 150$ pF; pin out driver= medium
		–	–	550	ns	$C_L = 150$ pF; pin out driver= weak
		–	–	18000	ns	$C_L = 20000$ pF; pin out driver= medium
		–	–	65000	ns	$C_L = 20000$ pF; pin out driver= weak
Input high voltage class A1 pads	V_{IHA1} SR	$0.6 \times V_{DDP}$	–	$\min(V_{DDP} + 0.3, 3.6)$	V	
Input low voltage class A1 pads	V_{ILA1} SR	-0.3	–	$0.36 \times V_{DDP}$	V	

Electrical Parameters DC Parameters

Table 21 Standard_Pads Class_A1 (cont'd)

Parameter	Symbol	Values			Unit	Note / Test Condition
		Min.	Typ.	Max.		
Output voltage high class A1 pads	V_{OHA1} CC	$V_{\text{DDP}} - 0.4$	–	–	V	$I_{\text{OH}} \geq -1.4$ mA; pin out driver= medium
		2.4	–	–	V	$I_{\text{OH}} \geq -2$ mA; pin out driver= medium
		$V_{\text{DDP}} - 0.4$	–	–	V	$I_{\text{OH}} \geq -400$ μA ; pin out driver= weak
		2.4	–	–	V	$I_{\text{OH}} \geq -500$ μA ; pin out driver= weak
Output voltage low class A1 pads	V_{OLA1} CC	–	–	0.4	V	$I_{\text{OL}} \leq 2$ mA; pin out driver= medium
		–	–	0.4	V	$I_{\text{OL}} \leq 500$ μA ; pin out driver= weak

1) Hysteresis is implemented to avoid metastable states and switching due to internal ground bounce. It can't be guaranteed that it suppresses switching due to external system noise.

Table 22 Standard_Pads Class_A1+

Parameter	Symbol	Values			Unit	Note / Test Condition
		Min.	Typ.	Max.		
Input Hysteresis for A1+ pads ¹⁾	H_{YSA1} + CC	$0.1 \times V_{\text{DDP}}$	–	–	V	
Input Leakage Current Class A1+	$I_{\text{OZA1+}}$ CC	-1000	–	1000	nA	
On-Resistance of the class A1+ pad, weak driver	R_{DSONW} CC	–	450	600	Ohm	$I_{\text{OH}} < -0.5$ mA; P_MOS
		–	210	340	Ohm	$I_{\text{OL}} < 0.5$ mA; N_MOS

Electrical Parameters DC Parameters

Table 22 Standard_Pads Class_A1+ (cont'd)

Parameter	Symbol	Values			Unit	Note / Test Condition
		Min.	Typ.	Max.		
On-Resistance of the class A1+ pad, medium driver	R_{DSONM} CC	–	–	155	Ohm	$I_{OH} < -2$ mA; P_MOS
		–	–	110	Ohm	$I_{OL} < 2$ mA; N_MOS
On-Resistance of the class A1+ pad, strong driver	R_{DSON1+} CC	–	–	100	Ohm	$I_{OH} < -2$ mA; P_MOS
		–	–	80	Ohm	$I_{OL} < 2$ mA; N_MOS
Fall time, pad type A1+	t_{FA1+} CC	–	–	150	ns	$C_L = 20$ pF; pin out driver= weak
		–	–	28	ns	$C_L = 50$ pF; edge= slow ; pin out driver= strong
		–	–	16	ns	$C_L = 50$ pF; edge= soft ; pin out driver= strong
		–	–	50	ns	$C_L = 50$ pF; pin out driver= medium
		–	–	140	ns	$C_L = 150$ pF; pin out driver= medium
		–	–	550	ns	$C_L = 150$ pF; pin out driver= weak
		–	–	18000	ns	$C_L = 20000$ pF; pin out driver= medium
		–	–	65000	ns	$C_L = 20000$ pF; pin out driver= weak

Electrical Parameters DC Parameters

Table 22 Standard_Pads Class_A1+ (cont'd)

Parameter	Symbol	Values			Unit	Note / Test Condition
		Min.	Typ.	Max.		
Rise time, pad type A1+	t_{RA1+} CC	–	–	150	ns	$C_L = 20$ pF; pin out driver= weak
		–	–	28	ns	$C_L = 50$ pF; edge= slow ; pin out driver= strong
		–	–	16	ns	$C_L = 50$ pF; edge= soft ; pin out driver= strong
		–	–	50	ns	$C_L = 50$ pF; pin out driver= medium
		–	–	140	ns	$C_L = 150$ pF; pin out driver= medium
		–	–	550	ns	$C_L = 150$ pF; pin out driver= weak
		–	–	18000	ns	$C_L = 20000$ pF; pin out driver= medium
		–	–	65000	ns	$C_L = 20000$ pF; pin out driver= weak
Input high voltage, Class A1+ pads	V_{IHA1+} SR	$0.6 \times V_{DDP}$	–	$\min(V_{DDP} + 0.3, 3.6)$	V	
Input low voltage Class A1+ pads	V_{ILA1+} SR	-0.3	–	$0.36 \times V_{DDP}$	V	
Ratio V_{il}/V_{ih} , A1+ pads	V_{ILA1+} / V_{IHA1+} CC	0.6	–	–		

Electrical Parameters DC Parameters

Table 22 Standard_Pads Class_A1+ (cont'd)

Parameter	Symbol	Values			Unit	Note / Test Condition
		Min.	Typ.	Max.		
Output voltage high class A1+ pads	$V_{\text{OHA1+CC}}$	$V_{\text{DDP}} - 0.4$	—	—	V	$I_{\text{OH}} \geq -1.4 \text{ mA}$; pin out driver= medium
		$V_{\text{DDP}} - 0.4$	—	—	V	$I_{\text{OH}} \geq -1.4 \text{ mA}$; pin out driver= strong
		2.4	—	—	V	$I_{\text{OH}} \geq -2 \text{ mA}$; pin out driver= medium
		2.4	—	—	V	$I_{\text{OH}} \geq -2 \text{ mA}$; pin out driver= strong
		$V_{\text{DDP}} - 0.4$	—	—	V	$I_{\text{OH}} \geq -400 \mu\text{A}$; pin out driver= weak
		2.4	—	—	V	$I_{\text{OH}} \geq -500 \mu\text{A}$; pin out driver= weak
Output voltage low class A1+ pads	$V_{\text{OLA1+CC}}$	—	—	0.4	V	$I_{\text{OL}} \leq 2 \text{ mA}$; pin out driver= medium
		—	—	0.4	V	$I_{\text{OL}} \leq 2 \text{ mA}$; pin out driver= strong
		—	—	0.4	V	$I_{\text{OL}} \leq 500 \mu\text{A}$; pin out driver= weak

1) Hysteresis is implemented to avoid metastable states and switching due to internal ground bounce. It can't be guaranteed that it suppresses switching due to external system noise.

Electrical Parameters DC Parameters

Table 23 Standard_Pads Class_A2

Parameter	Symbol	Values			Unit	Note / Test Condition
		Min.	Typ.	Max.		
Input Hysteresis for A2 pads ¹⁾	$H Y S A 2$ CC	$0.1 \times V_{D D P}$	–	–	V	
Input Leakage current Class A2	$I_{O Z A 2}$ CC	-6000	–	6000	nA	$V_i < V_{D D P} / 2 - 1 \text{ V}; V_i > V_{D D P} / 2 + 1 \text{ V}; V_i \geq 0 \text{ V}; V_i \leq V_{D D P} \text{ V}$
		-3000	–	3000	nA	$V_i > V_{D D P} / 2 - 1 \text{ V}; V_i < V_{D D P} / 2 + 1 \text{ V}$
Ratio $V_{i l} / V_{i h}$, A2 pads	$V_{I L A 2} / V_{I H A 2}$ CC	0.6	–	–		
On-Resistance of the class A2 pad, weak driver	$R_{D S O N W}$ CC	–	450	600	Ohm	$I_{O H} < -0.5 \text{ mA}; P_M O S$
		–	210	340	Ohm	$I_{O L} < 0.5 \text{ mA}; N_M O S$
On-Resistance of the class A2 pad, medium driver	$R_{D S O N M}$ CC	–	–	155	Ohm	$I_{O H} < -2 \text{ mA}; P_M O S$
		–	–	110	Ohm	$I_{O L} < 2 \text{ mA}; N_M O S$
On-Resistance of the class A2 pad, strong driver	$R_{D S O N 2}$ CC	–	–	28	Ohm	$I_{O H} < -2 \text{ mA}; P_M O S$
		–	–	22	Ohm	$I_{O L} < 2 \text{ mA}; N_M O S$

Electrical Parameters DC Parameters

Table 23 Standard_Pads Class_A2 (cont'd)

Parameter	Symbol	Values			Unit	Note / Test Condition
		Min.	Typ.	Max.		
Fall time, pad type A2	t_{FA2} CC	–	–	150	ns	$C_L = 20$ pF; pin out driver= weak
		–	–	7	ns	$C_L = 50$ pF; edge= medium ; pin out driver= strong
		–	–	10	ns	$C_L = 50$ pF; edge= medium-minus ; pin out driver= strong
		–	–	3.7	ns	$C_L = 50$ pF; edge= sharp ; pin out driver= strong
		–	–	5	ns	$C_L = 50$ pF; edge= sharp-minus ; pin out driver= strong
		–	–	16	ns	$C_L = 50$ pF; edge= soft ; pin out driver= strong
		–	–	50	ns	$C_L = 50$ pF; pin out driver= medium
		–	–	7.5	ns	$C_L = 100$ pF; edge= sharp ; pin out driver= strong
		–	–	140	ns	$C_L = 150$ pF; pin out driver= medium

Electrical Parameters DC Parameters

Table 23 Standard_Pads Class_A2 (cont'd)

Parameter	Symbol	Values			Unit	Note / Test Condition
		Min.	Typ.	Max.		
		–	–	550	ns	$C_L = 150 \text{ pF}$; pin out driver= weak
		–	–	18000	ns	$C_L = 20000 \text{ pF}$; pin out driver= medium
		–	–	65000	ns	$C_L = 20000 \text{ pF}$; pin out driver= weak

Electrical Parameters DC Parameters

Table 23 Standard_Pads Class_A2 (cont'd)

Parameter	Symbol	Values			Unit	Note / Test Condition
		Min.	Typ.	Max.		
Rise time, pad type A2	$t_{RA2\ CC}$	–	–	150	ns	$C_L = 20\ \text{pF}$; pin out driver= weak
		–	–	7.0	ns	$C_L = 50\ \text{pF}$; edge= medium ; pin out driver= strong
		–	–	10	ns	$C_L = 50\ \text{pF}$; edge= medium-minus ; pin out driver= strong
		–	–	3.7	ns	$C_L = 50\ \text{pF}$; edge= sharp ; pin out driver= strong
		–	–	5	ns	$C_L = 50\ \text{pF}$; edge= sharp-minus ; pin out driver= strong
		–	–	16	ns	$C_L = 50\ \text{pF}$; edge= soft ; pin out driver= strong
		–	–	50	ns	$C_L = 50\ \text{pF}$; pin out driver= medium
		–	–	7.5	ns	$C_L = 100\ \text{pF}$; edge= sharp ; pin out driver= strong
		–	–	140	ns	$C_L = 150\ \text{pF}$; pin out driver= medium

Electrical Parameters DC Parameters

Table 23 Standard_Pads Class_A2 (cont'd)

Parameter	Symbol	Values			Unit	Note / Test Condition
		Min.	Typ.	Max.		
		–	–	550	ns	$C_L = 150$ pF; pin out driver= weak
		–	–	18000	ns	$C_L = 20000$ pF; pin out driver= medium
		–	–	65000	ns	$C_L = 20000$ pF; pin out driver= weak
Input high voltage, class A2 pads	V_{IHA2} SR	$0.6 \times V_{DDP}$	–	$\min(V_{DDP} + 0.3, 3.6)$	V	
Input low voltage Class A2 pads	V_{ILA2} SR	-0.3	–	$0.36 \times V_{DDP}$	V	
Output voltage high class A2 pads	V_{OHA2} CC	$V_{DDP} - 0.4$	–	–	V	$I_{OH} \geq -1.4$ mA; pin out driver= medium
		$V_{DDP} - 0.4$	–	–	V	$I_{OH} \geq -1.4$ mA; pin out driver= strong
		2.4	–	–	V	$I_{OH} \geq -2$ mA; pin out driver= medium
		2.4	–	–	V	$I_{OH} \geq -2$ mA; pin out driver= strong
		$V_{DDP} - 0.4$	–	–	V	$I_{OH} \geq -400$ μ A; pin out driver= weak
		2.4	–	–	V	$I_{OH} \geq -500$ μ A; pin out driver= weak

Electrical Parameters DC Parameters

Table 23 Standard_Pads Class_A2 (cont'd)

Parameter	Symbol	Values			Unit	Note / Test Condition
		Min.	Typ.	Max.		
Output voltage low class A2 pads	V_{OLA2} CC	–	–	0.4	V	$I_{OL} \leq 2$ mA; pin out driver= medium
		–	–	0.4	V	$I_{OL} \leq 2$ mA; pin out driver= strong
		–	–	0.4	V	$I_{OL} \leq 500$ μ A; pin out driver= weak

1) Hysteresis is implemented to avoid metastable states and switching due to internal ground bounce. It can't be guaranteed that it suppresses switching due to external system noise.

Table 24 Standard_Pads Class_F

Parameter	Symbol	Values			Unit	Note / Test Condition
		Min.	Typ.	Max.		
Input Hysteresis F ¹⁾	$HYSF$ CC	$0.05 \times V_{DDP}$	–	–	V	
Input Leakage Current Class F	I_{OZF} CC	-6000	–	6000	nA	$V_i < V_{DDP} / 2 - 1$ V; $V_i > V_{DDP} / 2 + 1$ V; $V_i \geq 0$ V; $V_i \leq V_{DDP}$ V
		-3000	–	3000	nA	$V_i > V_{DDP} / 2 - 1$ V; $V_i < V_{DDP} / 2 + 1$ V
Ratio V_{ilf} / V_{ihf} , F pads	V_{ILF} / V_{IHF} CC	0.6	–	–		
On-Resistance of the class F pad, medium driver	R_{DSONM} CC	–	–	170	Ohm	$I_{OH} < -2$ mA; P_MOS
		–	–	175	Ohm	$I_{OH} < -2$ mA; P_MOS; $V_{DDP} \geq \pm 5\% \cdot V_D$ DP
		–	–	145	Ohm	$I_{OL} < 2$ mA; N_MOS

Electrical Parameters DC Parameters

Table 24 Standard_Pads Class_F (cont'd)

Parameter	Symbol	Values			Unit	Note / Test Condition
		Min.	Typ.	Max.		
Fall time, pad type F, CMOS mode	t_{FF} CC	–	–	60	ns	$C_L = 50$ pF
Rise time, pad type F, CMOS mode	t_{RF} CC	–	–	60	ns	$C_L = 50$ pF
Input high voltage, pad class F, CMOS mode	V_{IHF} SR	$0.6 \times V_{DDP}$	–	$\min(V_{DDP} + 0.3, 3.6)$	V	
Input low voltage, Class F pads, CMOS mode	V_{ILF} SR	-0.3	–	$0.36 \times V_{DDP}$	V	
Output high voltage, class F pads, CMOS mode	V_{OHF} CC	$V_{DDP} - 0.4$	–	–	V	$I_{OH} \geq -1.4$ mA
		2.4	–	–	V	$I_{OH} \geq -2$ mA
Output low voltage, class F pads, CMOS mode	V_{OLF} CC	–	–	0.4	V	$I_{OL} \leq 2$ mA

1) Hysteresis is implemented to avoid metastable states and switching due to internal ground bounce. It can't be guaranteed that it suppresses switching due to external system noise.

Table 25 Standard_Pads Class_I

Parameter	Symbol	Values			Unit	Note / Test Condition
		Min.	Typ.	Max.		
Input Hysteresis Class I ¹⁾	$HYSI$ CC	$0.1 \times V_{DDP}$	–	–	V	
Input Leakage Current	I_{OZI} CC	-1000	–	1000	nA	
Ratio between low and high input threshold	V_{ILI} / V_{IHI} CC	0.6	–	–		
Input high voltage, class I pins	V_{IHI} SR	$0.6 \times V_{DDP}$	–	$\min(V_{DDP} + 0.3, 3.6)$	V	
Input low voltage, Class I pads	V_{ILI} SR	-0.3	–	$0.36 \times V_{DDP}$	V	

Electrical Parameters DC Parameters

- 1) Hysteresis is implemented to avoid metastable states and switching due to internal ground bounce. It can't be guaranteed that it suppresses switching due to external system noise.

Table 26 LVDS_Pads Parameters

Parameter	Symbol	Values			Unit	Note / Test Condition
		Min.	Typ.	Max.		
Output impedance, pad class F, LVDS mode	R_O CC	40	–	140	Ohm	
Fall time, pad type LVDS	t_{FL} CC	–	–	2	ns	termination 100 Ω \pm 1 %
Rise time, pad type LVDS	t_{RL} CC	–	–	2	ns	termination 100 Ω \pm 1 %
Pad set-up time	t_{SET_LVD} S CC	–	–	13	μ s	termination 100 Ω \pm 1 %
Output Differential Voltage	V_{OD} CC	150	–	400	mV	termination 100 Ω \pm 1 %
Output voltage high, pad class F, LVDS mode	V_{OH} CC	–	–	1525	mV	termination 100 Ω \pm 1 %
Output voltage low, pad class F, LVDS mode	V_{OL} CC	875	–	–	mV	termination 100 Ω \pm 1 %
Output Offset Voltage	V_{OS} CC	1075	–	1325	mV	termination 100 Ω \pm 1 %

Electrical Parameters DC Parameters

5.2.2 Analog to Digital Converters (ADCx)

ADC parameter are valid for $V_{DD} / V_{DDAF} = 1.17 \text{ V to } 1.43 \text{ V}$; $V_{DDM} = 4.5 \text{ V to } 5.5 \text{ V}$.

Table 27 ADC Parameters

Parameter	Symbol	Values			Unit	Note / Test Condition
		Min.	Typ.	Max.		
Switched capacitance at the analog voltage inputs ¹⁾	C_{AINSW} CC	–	9	20	pF	
Total capacitance of an analog input	C_{AINTOT} CC	–	20	30	pF	
Switched capacitance at the positive reference voltage input ²⁾⁽³⁾	C_{AREFSW} CC	–	15	30	pF	
Total capacitance of the voltage reference inputs ²⁾	C_{AREFTO} T CC	–	20	40	pF	
Differential Non-Linearity Error ⁴⁾⁽⁵⁾⁽⁶⁾⁽⁷⁾	EA_{DNL} CC	-3	–	3	LSB	ADC resolution= 12-bit ^{8) 9)}
Gain Error ⁴⁾⁽⁶⁾⁽⁵⁾⁽⁷⁾	EA_{GAIN} CC	-3.5	–	3.5	LSB	ADC resolution= 12-bit ^{8) 9)}
Integral Non-Linearity ⁴⁾⁽⁶⁾⁽⁵⁾⁽⁷⁾	EA_{INL} CC	-3	–	3	LSB	ADC resolution= 12-bit ^{8) 9)}
Offset Error ⁴⁾⁽⁶⁾⁽⁵⁾⁽⁷⁾	EA_{OFF} CC	-4	–	4	LSB	ADC resolution= 12-bit ^{8) 9)}

Electrical Parameters DC Parameters
Table 27 ADC Parameters (cont'd)

Parameter	Symbol	Values			Unit	Note / Test Condition
		Min.	Typ.	Max.		
Converter clock	$f_{\text{ADC SC}}$	4	–	90	MHz	$f_{\text{ADC}} = f_{\text{FPI}}$; SAK-TC1782F-320F180HR / S AK-TC1782F-320F180HL / S AK-TC1782N-320F180HR / S AK-TC1782N-320F180HL / S AK-TC1782N-256F133HR / S AK-TC1782N-256F133HL
		4	–	80	MHz	$f_{\text{ADC}} = f_{\text{FPI}}$; SAK-TC1782F-320F160HR / S AK-TC1782F-320F160HL / S AK-TC1782N-320F160HR / S AK-TC1782N-320F160HL
Internal ADC clock	$f_{\text{ADCI CC}}$	1	–	18	MHz	
Charge consumption per conversion	$Q_{\text{CONV CC}}$	70	85 ⁽¹⁰⁾	100	pC	charge needs to be provided via V_{AREF0}

Electrical Parameters DC Parameters

Table 27 ADC Parameters (cont'd)

Parameter	Symbol	Values			Unit	Note / Test Condition
		Min.	Typ.	Max.		
Input leakage at analog inputs ¹¹⁾	I_{OZ1} CC	-100	–	500	nA	$V_i \leq V_{DDM} V$; $V_i \geq 0.97 x V_{DDM} V$; overlaid= No
		-100	–	600	nA	$V_i \geq 0.97 x V_{DDM} V$; $V_i \leq V_{DDM} V$; overlaid= Yes
		-500	–	100	nA	$V_i \leq 0.03 x V_{DDM} V$; $V_i \geq 0 V$; overlaid= No
		-600	–	100	nA	$V_i \leq 0.03 x V_{DDM} V$; $V_i \geq 0 V$; overlaid= Yes
		-100	–	200	nA	$V_i > 0.03 x V_{DDM} V$; $V_i < 0.97 x V_{DDM} V$; overlaid= No
		-100	–	300	nA	$V_i < 0.97 x V_{DDM} V$; $V_i > 0.03 x V_{DDM} V$; overlaid= Yes
Input leakage current at V _{aref0}	I_{OZ2} CC	-2	–	2	μA	$V_{AREF0} \leq V_{DDM} V$
Input leakage current at V _{agnd0}	I_{OZ3} CC	-2	–	2	μA	$V_{AGND0} \leq V_{DDM} V$
ON resistance of the transmission gates in the analog voltage path	R_{AIN} CC	–	900	1500	Ohm	
ON resistance for the ADC test (pull down for AIN7)	R_{AIN7T} CC	180	550	900	Ohm	

Electrical Parameters DC Parameters

Table 27 ADC Parameters (cont'd)

Parameter	Symbol	Values			Unit	Note / Test Condition
		Min.	Typ.	Max.		
Resistance of the reference voltage input path	R_{AREF} CC	–	500	1000	Ohm	
Sample time	t_S CC	2	–	257	T_{ADCI}	
Calibration time after bit ADC_GLOB_CFG.SUCAL is set	t_{CAL} CC	–	–	4352	cycle s	
Total Unadjusted Error ⁶⁾⁵⁾¹²⁾	TUE CC	-4	–	4 ¹³⁾	LSB	ADC resolution= 12-bit
Analog reference ground ²⁾	V_{AGND0} SR	$V_{SSM} - 0.05$	–	$V_{AREF0} - 1$	V	
Analog input voltage	V_{AIN} SR	V_{AGND0}	–	V_{AREF0}	V	
Analog reference voltage ²⁾	V_{AREF0} SR	$V_{AGND0} + 1$	–	$V_{DDM} + 0.05$ ^{14) 15)}	V	
Analog reference voltage range ⁶⁾⁵⁾²⁾	$V_{AREF0} - V_{AGND0}$ SR	$V_{DDM}/2$	–	$V_{DDM} + 0.05$	V	

- 1) The sampling capacity of the conversion C-network is pre-charged to $V_{AREF0}/2$ before the sampling moment. Because of the parasitic elements the voltage measured at AINx can deviate from $V_{AREF0}/2$.
- 2) Applies to AINx, when used as auxiliary reference input.
- 3) This represents an equivalent switched capacitance. This capacitance is not switched to the reference voltage at once. Instead smaller capacitances are successively switched to the reference voltage.
- 4) The sum of DNL/INL/GAIN/OFF errors does not exceed the related TUE total unadjusted error.
- 5) If a reduced analog reference voltage between 1V and $V_{DDM}/2$ is used, then there are additional decrease in the ADC speed and accuracy.
- 6) If the analog reference voltage range is below V_{DDM} but still in the defined range of $V_{DDM}/2$ and V_{DDM} is used, then the ADC converter errors increase. If the reference voltage is reduced by the factor k ($k < 1$), TUE, DNL, INL, Gain, and Offset errors increase also by the factor 1/k.
- 7) If the analog reference voltage is $> V_{DDM}$, then the ADC converter errors increase.
- 8) For 10-bit conversions the error value must be multiplied with a factor 0.25.
- 9) For 8-bit conversions the error value must be multiplied with a factor 0.0625.
- 10) For a conversion time of 1 μ s a rms value of 85 μ A result for I_{AREF0} .
- 11) The leakage current definition is a continuous function, as shown in figure ADCx Analogue Input Leakage. The numerical values defined determine the characteristic points of the given continuous linear approximation - they do not define step function.

Electrical Parameters DC Parameters

- 12) Measured without noise.
- 13) For 10-bit conversion the TUE is $\pm 2\text{LSB}$; for 8-bit conversion the TUE is $\pm 1\text{LSB}$
- 14) A running conversion may become inexact in case of violating the normal conditions (voltage overshoot).
- 15) If the reference voltage V_{AREF0} increase or the V_{DDM} decrease, so that $V_{\text{AREF}} = (V_{\text{DDM}} + 0.05\text{V to } V_{\text{DDM}} + 0.07\text{V})$, then the accuracy of the ADC decrease by 4LSB12.

Table 28 Conversion Time (Operating Conditions apply)

Parameter	Symbol	Values	Unit	Note
Conversion time with post-calibration	t_C CC	$2 \times T_{\text{ADC}} + (4 + \text{STC} + n) \times T_{\text{ADCI}}$	μs	$n = 8, 10, 12$ for n -bit conversion $T_{\text{ADC}} = 1 / f_{\text{FPI}}$ $T_{\text{ADCI}} = 1 / f_{\text{ADCI}}$
Conversion time without post-calibration		$2 \times T_{\text{ADC}} + (2 + \text{STC} + n) \times T_{\text{ADCI}}$		

The power-up calibration of the ADC requires a maximum number of $4352 \cdot f_{\text{ADCI}}$ cycles.

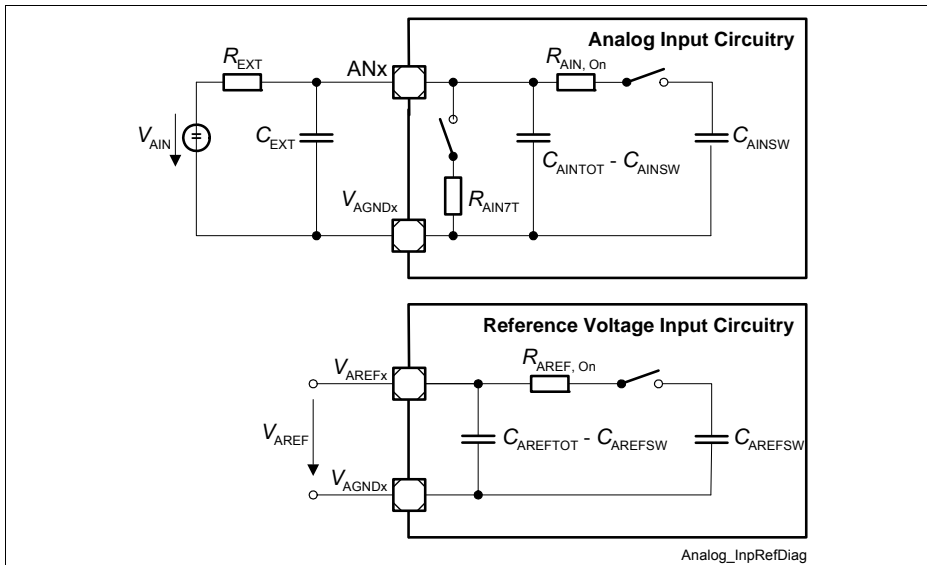


Figure 7 ADCx Input Circuits

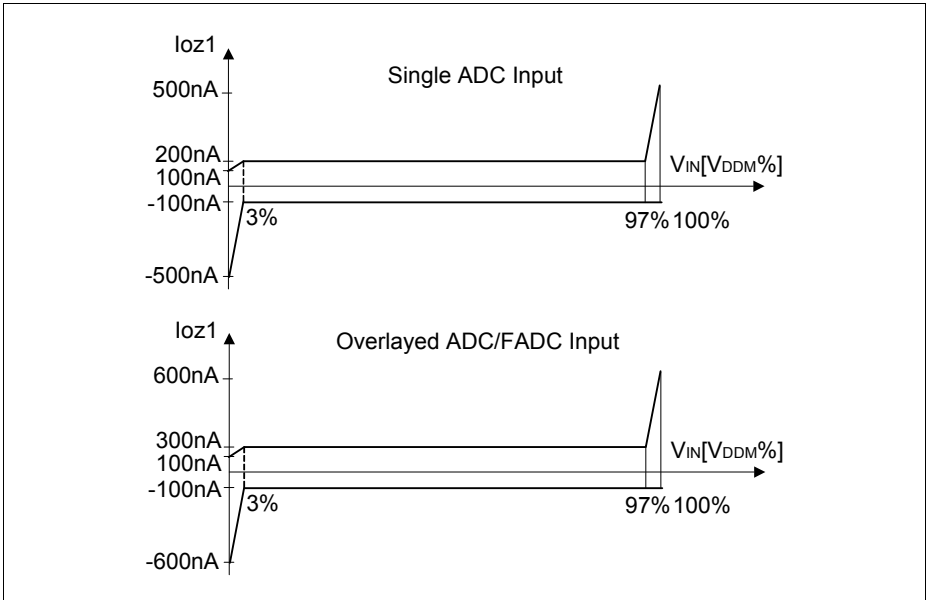


Figure 8 ADCx Analog Inputs Leakage

5.2.3 Fast Analog to Digital Converter (FADC)

Table 29 FADC Parameters

Parameter	Symbol	Values			Unit	Note / Test Condition
		Min.	Typ.	Max.		
Input current at VFAREF	$I_{\text{FAREF CC}}$	–	–	120	μA	
Input leakage current at VFAREF ¹⁾	$I_{\text{FOZ2 CC}}$	-500	–	500	nA	$V_{\text{FAREF}} \leq V_{\text{DDMF}}$ $V; V_{\text{FAREF}} \geq 0 \text{ V}$
Input leakage current at VFAGND	$I_{\text{FOZ3 CC}}$	-500	–	500	nA	

Electrical Parameters DC Parameters

Table 29 FADC Parameters (cont'd)

Parameter	Symbol	Values			Unit	Note / Test Condition
		Min.	Typ.	Max.		
DNL error	EF_{DNL} CC	-1	–	1	LSB	V_{IN} mode= differential; Gain = 1 or 2; Gain = 4 or 8 and $V_{DDAF} / V_{DDMF} \leq \pm 5\% * V_{DDAF} / V_{DDMF}$ [Typ]
		-1	–	1	LSB	V_{IN} mode= single ended; Gain = 1 or 2; Gain = 4 or 8 and $V_{DDAF} / V_{DDMF} \leq \pm 5\% * V_{DDAF} / V_{DDMF}$ [Typ]
		-2	–	2	LSB	V_{IN} mode= differential; Gain = 4 or 8 and $V_{DDAF} / V_{DDMF} > \pm 5\% * V_{DDAF} / V_{DDMF}$ [Typ] ²⁾
		-2	–	2	LSB	V_{IN} mode= single ended; Gain = 4 or 8 and $V_{DDAF} / V_{DDMF} > \pm 5\% * V_{DDAF} / V_{DDMF}$ [Typ] ²⁾

Electrical Parameters DC Parameters

Table 29 FADC Parameters (cont'd)

Parameter	Symbol	Values			Unit	Note / Test Condition
		Min.	Typ.	Max.		
GRADient error	$EF_{\text{GRAD CC}}$	-5	–	5	%	V_{IN} mode= differential ; Gain ≤ 4
		-5	–	5	%	V_{IN} mode= single ended ; Gain ≤ 4
		-6	–	6	%	V_{IN} mode= differential ; Gain = 8
		-6	–	6	%	V_{IN} mode= single ended ; Gain = 8
INL error	$EF_{\text{INL CC}}$	-4	–	4	LSB	V_{IN} mode= differential
		-4	–	4	LSB	V_{IN} mode= single ended
Offset error	$EF_{\text{OFF CC}}$	-90	–	90	mV	V_{IN} mode= differential ; Calibration= No
		-90	–	90	mV	V_{IN} mode= single ended ; Calibration= No
		-20	–	20	mV	V_{IN} mode= differential ; Calibration= Yes ³⁾⁴⁾
		-20	–	20	mV	V_{IN} mode= single ended ; Calibration= Yes ³⁾⁴⁾
Error of common mode voltage $V_{\text{FAREF}}/2$	$EF_{\text{REF CC}}$	-60	–	60	mV	
Channel amplifier cutoff frequency	$f_{\text{COFF CC}}$	2	–	–	MHz	

Electrical Parameters DC Parameters
Table 29 FADC Parameters (cont'd)

Parameter	Symbol	Values			Unit	Note / Test Condition
		Min.	Typ.	Max.		
Converter clock	f_{FADC} SC	1	–	90	MHz	$f_{FADC} = f_{FPI}$; SAK-TC1782F-320F180HR / S AK-TC1782F-320F180HL / S AK-TC1782N-320F180HR / S AK-TC1782N-320F180HL / S AK-TC1782N-256F133HR / S AK-TC1782N-256F133HL
		1	–	80	MHz	$f_{FADC} = f_{FPI}$; SAK-TC1782F-320F160HR / S AK-TC1782F-320F160HL / S AK-TC1782N-320F160HR / S AK-TC1782N-320F160HL
Conversion time	t_C CC	–	–	21	1 / f_{FADC}	For 10-bit conversion
Input resistance of the analog voltage path (Rn, Rp)	R_{FAIN} CC	100	–	200	kOh m	
Settling time of a channel amplifier after changing ENN or ENP	t_{SET} CC	–	–	5	μs	
Analog input voltage range	V_{AINF} SR	V_{FAGND}	–	V_{DDMF}	V	
Analog reference ground	V_{FAGND} SR	$V_{SSAF} - 0.05$	–	$V_{SSAF} + 0.05$	V	
Analog reference voltage	V_{FAREF} SR	3.0	–	3.63 ⁵⁾ 6)	V	

Electrical Parameters DC Parameters

- 1) This value applies in power-down mode.
- 2) No missing codes.
- 3) Calibration should be preformed at each power-up. In case of a continuous operation, it should be performed minimum once per week.
- 4) The offset error voltage drifts over the whole temperature range maximum $+3\text{LSB}$.
- 5) Voltage overshoot to 4V is permissible, provided the pulse duration is less than $100\ \mu\text{s}$ and the cumulated sum of the pulses does not exceed $1\ \text{h}$.
- 6) A running conversion may become inexact in case of violating the normal operating conditions (voltage overshoots).

The calibration procedure should run after each power-up, when all power supply voltages and the reference voltage have stabilized.

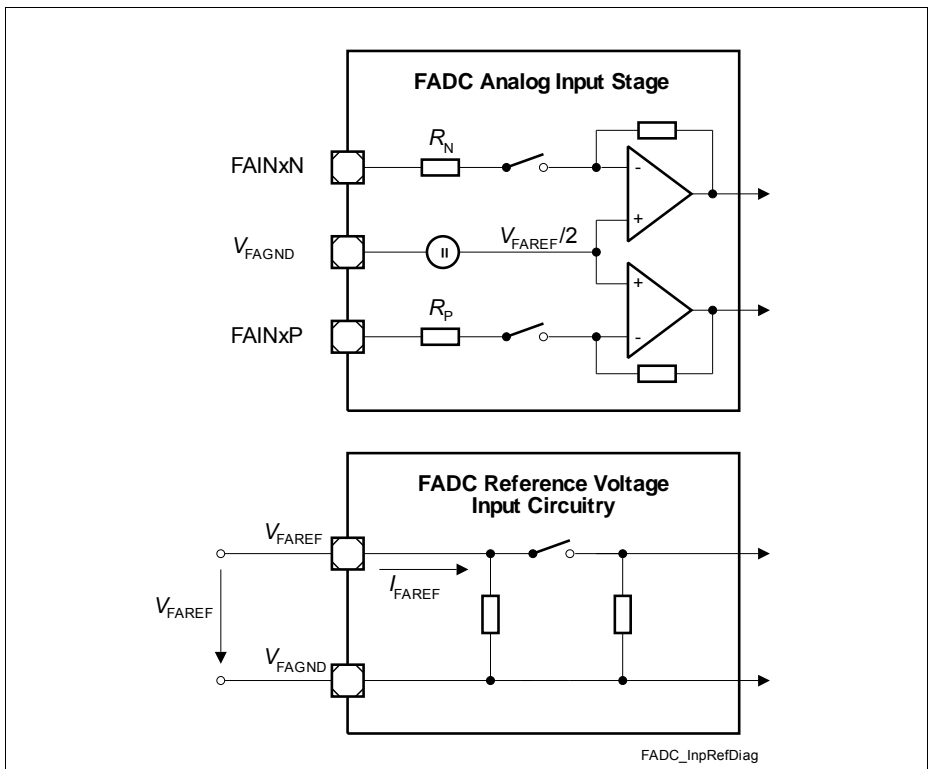


Figure 9 FADC Input Circuits

5.2.4 Oscillator Pins

Table 30 OSC_XTAL Parameters

Parameter	Symbol	Values			Unit	Note / Test Condition
		Min.	Typ.	Max.		
Input current at XTAL1	I_{IX1} CC	-25	–	25	μA	$V_{IN} < V_{DDOSC3}$; $V_{IN} > 0$ V
Input frequency	f_{OSC} SR	4	–	40	MHz	Direct Input Mode selected
		8	–	25	MHz	External Crystal Mode selected
Oscillator start-up time ¹⁾	t_{OSCS} CC	–	–	10	ms	
Input high voltage at XTAL1 ²⁾	V_{IHx} SR	$0.7 \times V_{DDOS C3}$	–	$V_{DDOS C3} + 0.5$	V	
Input low voltage at XTAL1	V_{ILx} SR	-0.5	–	$0.3 \times V_{DDOS C3}$	V	
Input Hysteresis for XTAL1 pad ³⁾	$HYSAX$ CC	–	–	200	mV	

1) t_{OSCS} is defined from the moment when $V_{DDOSC3} = 3.13\text{V}$ until the oscillations reach an amplitude at XTAL1 of $0.3 \times V_{DDOSC3}$. The external oscillator circuitry must be optimized by the customer and checked for negative resistance as recommended and specified by crystal suppliers.

2) If the XTAL1 pin is driven by a crystal, reaching a minimum amplitude (peak-to-peak) of $0.4 \times V_{DDOSC3}$ is necessary.

3) Hysteresis is implemented to avoid metastable states and switching due to internal ground bounce. It can't be guaranteed that it suppresses switching due to external system noise.

Note: It is strongly recommended to measure the oscillation allowance (negative resistance) in the final target system (layout) to determine the optimal parameters for the oscillator operation. Please refer to the limits specified by the crystal or ceramic resonator supplier.

5.2.5 Temperature Sensor

Table 31 DTS Parameters

Parameter	Symbol	Values			Unit	Note / Test Condition
		Min.	Typ.	Max.		
Measurement time	t_M CC	–	–	100	μs	
Temperature sensor range	T_{SR} SR	-40	–	150	°C	
Sensor Accuracy (calibrated)	T_{TSA} CC	-6	–	6	°C	
Start-up time after resets inactive	t_{TSST} SR	–	–	20	μs	

The following formula calculates the temperature measured by the DTS in [°C] from the RESULT bit field of the DTSSTAT register.

(1)

$$T_j = \frac{DTSSTAT_{RESULT} - 596}{2,03}$$

5.2.6 Power Supply Current

The total power supply current defined below consists of leakage and switching component.

Application relevant values are typically lower than those given in the following two tables and depend on the customer's system operating conditions (e.g. thermal connection or used application configurations).

The operating conditions for the parameters in the following table are:

$V_{DD}=1.365\text{ V}$, $V_{DDP}=3.47\text{ V}$, $V_{DDM}=5.1\text{ V}$, $f_{LMB}=180 / 160\text{ MHz} / 133\text{ MHz}$, $T_J=150\text{ °C}$

The realistic power pattern defines the following conditions:

- $T_J=150\text{ °C}$
- $f_{LMB} = f_{PCP} = f_{CPU} = 180 / 160\text{ MHz} / 133\text{ MHz}$
- $f_{FPI} = 90\text{ MHz} / 80\text{ MHz} / 66.5\text{ MHz}$
- $V_{DD} = V_{DDOSC} = V_{DDAF} = 1.326\text{ V}$
- $V_{DDP} = V_{DDOSC3} = V_{DDFL3} = V_{DDMF} = 3.366\text{ V}$
- $V_{DDM} = 5.1\text{ V}$

The max power pattern defines the following conditions:

- $T_J=150\text{ °C}$
- $f_{LMB} = f_{PCP} = f_{CPU} = 180 / 160\text{ MHz} / 133\text{ MHz}$
- $f_{FPI} = 90\text{ MHz} / 80\text{ MHz} / 66.5\text{ MHz}$
- $V_{DD} = V_{DDOSC} = V_{DDAF} = 1.365\text{ V} / 1.43\text{ V} / 1.365\text{ V}$
- $V_{DDP} = V_{DDOSC3} = V_{DDFL3} = V_{DDMF} = 3.47\text{ V} / 3.63\text{ V} / 3.47\text{ V}$
- $V_{DDM} = 5.5\text{ V}$

Electrical Parameters DC Parameters
Table 32 Power Supply Parameters

Parameter	Symbol	Values			Unit	Note / Test Condition
		Min.	Typ.	Max.		
Core active mode supply current ¹⁾²⁾	$I_{DD\ CC}$	–	–	486 ³⁾	mA	power pattern= max ; SAK-TC1782N-256F133HR SAK-TC1782N-256F133HL
		–	–	550 ³⁾	mA	power pattern= max ; SAK-TC1782F320F180HR SAK-TC1782F320F180HL SAK-TC1782N-320F180HR SAK-TC1782N-320F180HL
		–	–	550 ³⁾	mA	power pattern= max ; SAK-TC1782F-320F160HR SAK-TC1782F-320F160HL SAK-TC1782N-320F160HR SAK-TC1782N-320F160HL
		–	–	370 ⁴⁾	mA	power pattern= realistic ; SAK-TC1782N-256F133HR SAK-TC1782N- 256F133HL; $V_{DD}=1.326\ V$
		–	–	398 ⁴⁾	mA	power pattern= realistic ; SAK-TC1782F320F180HR SAK-TC1782F320F180HL SAK-TC1782N-320F180HR SAK-TC1782N- 320F180HL; $V_{DD}=1.326\ V$
		–	–	386 ⁴⁾	mA	power pattern= realistic ; SAK-TC1782F-320F160HR SAK-TC1782F-320F160HL SAK-TC1782N-320F160HR SAK-TC1782N- 320F160HL; $V_{DD}=1.326\ V$
I_{DD} current at PORST Low	$I_{DD_PORS\ T\ CC}$	–	–	300	mA	
		–	–	291	mA	$V_{DD}=1.326\ V$
		–	–	314	mA	$V_{DD}=1.43\ V$
Analog core supply current	$I_{DDAF\ CC}$	–	–	23	mA	

Electrical Parameters DC Parameters

Table 32 Power Supply Parameters (cont'd)

Parameter	Symbol	Values			Unit	Note / Test Condition
		Min.	Typ.	Max.		
Oscillator core supply current	I_{DDOSC} CC	–	–	4	mA	
I_{DDP} current at PORST Low	I_{DDP_POR} ST CC	–	–	2.5	mA	
I_{DDP} current no pad activity, LVDS off ⁵⁾	I_{DDP} CC	–	–	I_{DDP_P} ORST ⁺ 12	mA	including flash read current
		–	–	I_{DDP_P} ORST ⁺ 27	mA	including flash programming current ⁶⁾
		–	–	I_{DDP_P} ORST ⁺ 20 ⁷⁾	mA	including flash erase current ⁶⁾
Flash memory current ⁵⁾	I_{DDFL3} CC	–	–	56	mA	flash read current
		–	–	21	mA	flash programming current ⁶⁾
		–	–	56	mA	flash erase current ⁶⁾
Oscillator power supply current, 3.3V	I_{DDOSC3} CC	–	–	15	mA	
FADC analog supply current, 3.3V	I_{DDMF} CC	–	–	15	mA	
Current Consumption of LVDS Pad Pairs	I_{LVDS} CC	–	–	12	mA	for all LVDS pads in total
ADC 5V power supply current	I_{DDM} CC	–	–	2	mA	

Electrical Parameters DC Parameters
Table 32 Power Supply Parameters (cont'd)

Parameter	Symbol	Values			Unit	Note / Test Condition
		Min.	Typ.	Max.		
Maximum power dissipation	P_{DC}	–	–	1143	mW	power pattern= max ; SAK-TC1782N-256F133HR SAK-TC1782N-256F133HL
		–	–	1231	mW	power pattern= max ; SAK-TC1782F320F180HR SAK-TC1782F320F180HL SAK-TC1782N-320F180HR SAK-TC1782N-320F180HL
		–	–	1231	mW	power pattern= max ; SAK-TC1782F-320F160HR SAK-TC1782F-320F160HL SAK-TC1782N-320F160HR SAK-TC1782N-320F160HL
		–	–	957	mW	power pattern= realistic ; SAK-TC1782N-256F133HR SAK-TC1782N-256F133HL; $V_{DD}=1.326$ V
		–	–	994	mW	power pattern= realistic ; SAK-TC1782F320F180HR SAK-TC1782F320F180HL SAK-TC1782N-320F180HR SAK-TC1782N-320F180HL; $V_{DD}=1.326$ V
		–	–	979	mW	power pattern= realistic ; SAK-TC1782F-320F160HR SAK-TC1782F-320F160HL SAK-TC1782N-320F160HR SAK-TC1782N-320F160HL; $V_{DD}=1.326$ V

- 1) Infineon Power Loop: CPU and PCP running, all peripherals active. The power consumption of each customer application will most probably be lower than this value, but must be evaluated separately.
- 2) This current includes the E-Ray module power consumption, including the PCP operation component.
- 3) The I_{DD} decreases typically by 68mA if the f_{CPU} decreases by 50MHz, at constant T_J
- 4) The I_{DD} decreases typically by 30mA if the f_{CPU} decreases by 50MHz, at constant T_J
- 5) For operations including the D-Flash the required currents are always lower than the currents for non D-Flash operation.
- 6) Relevant for the power supply dimensioning, not for thermal considerations.

Electrical Parameters DC Parameters

- 7) In case of erase of Program Flash PF, internal flash array loading effects may generate transient current spikes of up to 15 mA for maximum 5 ms per flash module.

5.2.6.1 Calculating the 1.3 V Current Consumption

The current consumption of the 1.3 V rail compose out of two parts:

- Static current consumption
- Dynamic current consumption

The static current consumption is related to the device temperature T_J and the dynamic current consumption depends of the configured clocking frequencies and the software application executed. These two parts needs to be added in order to get the rail current consumption.

(2)

$$I_0 = 2,20897 \left[\frac{\text{mA}}{\text{C}} \right] \times e^{0,02696 \times T_J[\text{C}]}$$

(3)

$$I_0 = 10,68 \left[\frac{\text{mA}}{\text{C}} \right] \times e^{0,02203 \times T_J[\text{C}]}$$

Function 2 defines the typical static current consumption and Function 3 defines the maximum static current consumption. Both functions are valid for $V_{DD} = 1.326 \text{ V}$.

For the dynamic current consumption using the application pattern and $f_{LMB} = 2 * f_{FPI}$ the function 4 applies:

(4)

$$I_{Dym} = 0,6 \left[\frac{\text{mA}}{\text{MHz}} \right] \times f_{CPU}[\text{MHz}]$$

and this finally results in

(5)

$$I_{DD} = I_0 + I_{DYM}$$

5.3 AC Parameters

All AC parameters are defined with maximum driver strength unless otherwise noted.

5.3.1 Testing Waveforms

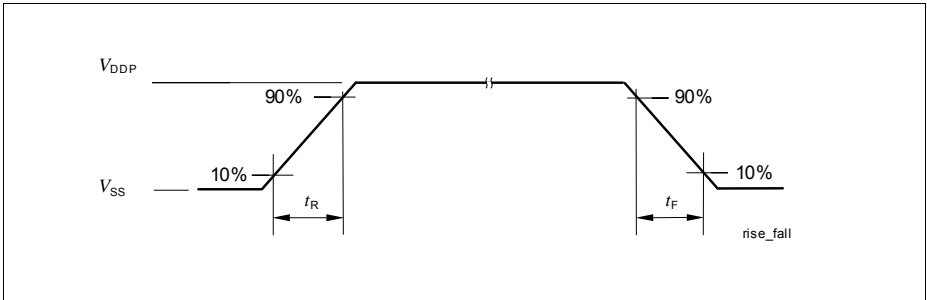


Figure 10 Rise/Fall Time Parameters

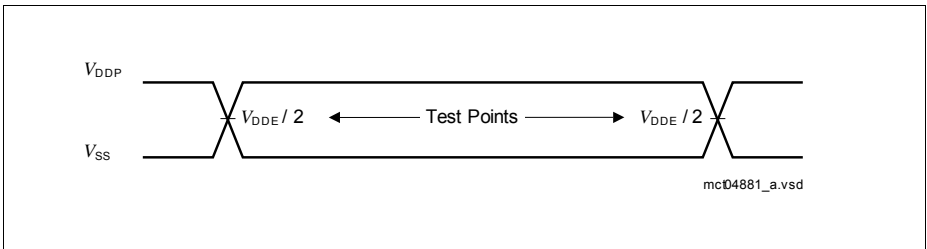


Figure 11 Testing Waveform, Output Delay

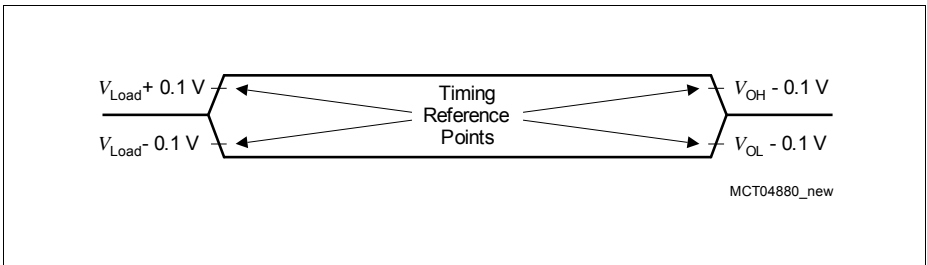


Figure 12 Testing Waveform, Output High Impedance

5.3.2 Power Sequencing

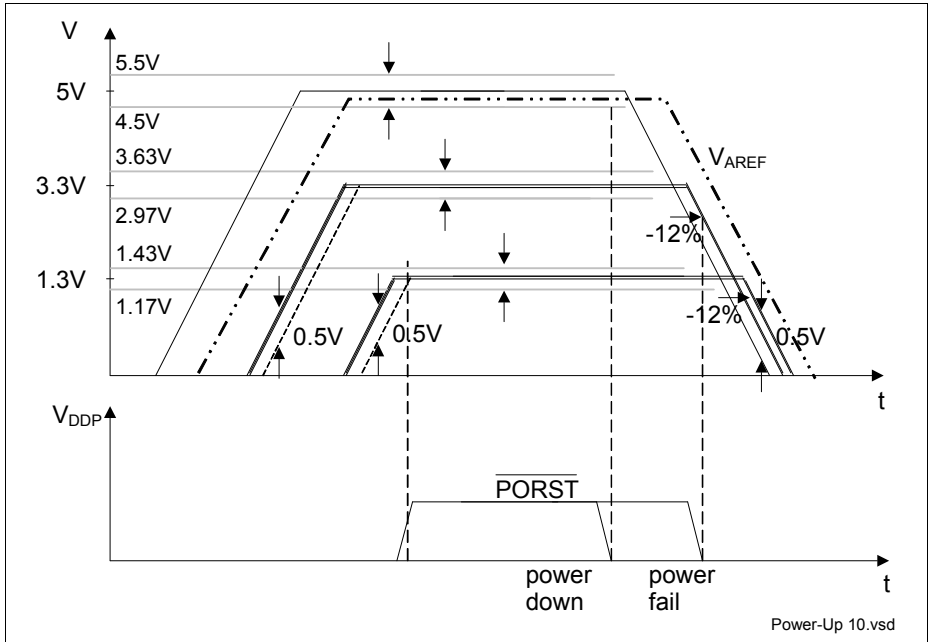


Figure 13 5 V / 3.3 V / 1.3 V Power-Up/Down Sequence for 10% Operating Range

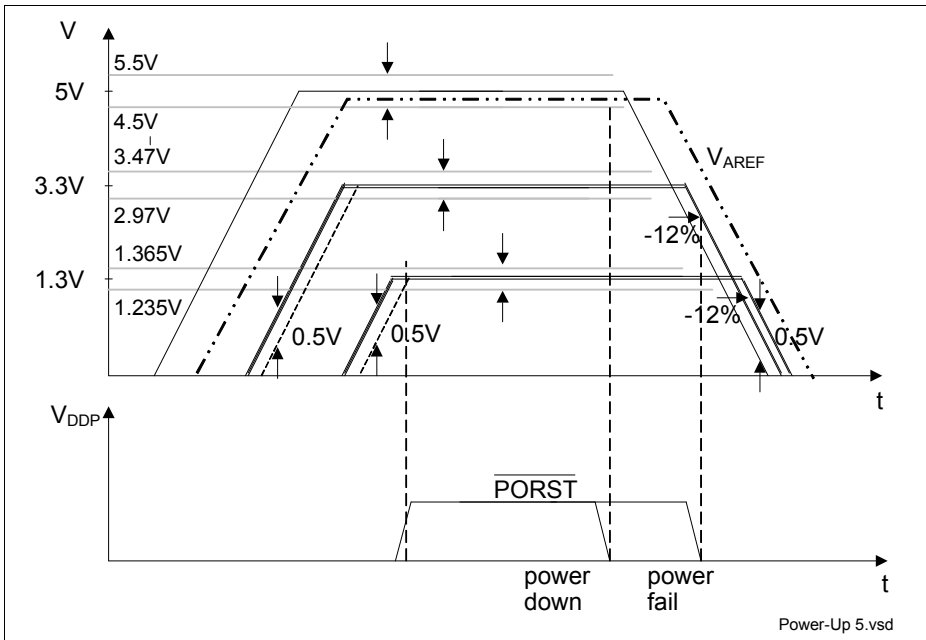


Figure 14 5 V / 3.3 V / 1.3 V Power-Up/Down Sequence for 5% Operating Range

The following list of rules applies to the power-up/down sequence:

- All ground pins V_{SS} must be externally connected to one single star point in the system. Regarding the DC current component, all ground pins are internally directly connected.
- At any moment in time to avoid increased latch-up risk, each power supply must be higher than any lower_power_supply - 0.5 V, or:
 $V_{DD5} > V_{DD3.3} - 0.5 \text{ V}$; $V_{DD5} > V_{DD1.3} - 0.5 \text{ V}$; $V_{DD3.3} > V_{DD1.3} - 0.5 \text{ V}$, see [Figure 14](#).
 - The latch-up risk is minimized if the I/O currents are limited to:
 - 20 mA for one pin group
 - AND 100 mA for the completed device I/Os
 - AND additionally before power-up / after power-down:
 - 1 mA for one pin in inactive mode (0 V on all power supplies)
- During power-up and power-down, the voltage difference between the power supply pins of the same voltage (3.3 V, 1.3 V, and 5 V) with different names (for example V_{DDP} , V_{DDFL3} ...), that are internally connected via diodes, must be lower than 100 mV. On the other hand, all power supply pins with the same name (for example all V_{DDP}), are internally directly connected. It is recommended that the power pins of the same voltage are driven by a single power supply.

Electrical Parameters AC Parameters

1. The $\overline{\text{PORST}}$ signal may be deactivated after all V_{DD5} , $V_{\text{DD3.3}}$, $V_{\text{DD1.3}}$, and V_{AREF} power-supplies and the oscillator have reached stable operation, within the normal operating conditions.
2. At normal power down the $\overline{\text{PORST}}$ signal should be activated within the normal operating range, and then the power supplies may be switched off. Care must be taken that all Flash write or delete sequences have been completed.
3. At power fail the $\overline{\text{PORST}}$ signal must be activated at latest when any 3.3 V or 1.3 V power supply voltage falls 12% below the nominal level. If, under these conditions, the $\overline{\text{PORST}}$ is activated during a Flash write, only the memory row that was the target of the write at the moment of the power loss will contain unreliable content. In order to ensure clean power-down behavior, the $\overline{\text{PORST}}$ signal should be activated as close as possible to the normal operating voltage range.
4. In case of a power-loss at any power-supply, all power supplies must be powered-down, conforming at the same time to the rules number 2 and 4.
5. Although not necessary, it is additionally recommended that all power supplies are powered-up/down together in a controlled way, as tight to each other as possible.
6. Additionally, regarding the ADC reference voltage V_{AREF} :
 - V_{AREF} must power-up at the same time or later then V_{DDM} , and
 - V_{AREF} must power-down either earlier or at latest to satisfy the condition $V_{\text{AREF}} < V_{\text{DDM}} + 0.5 \text{ V}$. This is required in order to prevent discharge of V_{AREF} filter capacitance through the ESD diodes through the V_{DDM} power supply. In case of discharging the reference capacitance through the ESD diodes, the current must be lower than 5 mA.

5.3.3 Power, Pad and Reset Timing

Table 33 Reset Timings Parameters

Parameter	Symbol	Values			Unit	Note / Test Condition
		Min.	Typ.	Max.		
Application Reset Boot Time ¹⁾²⁾	t_B CC	150	–	810	μs	SAK-TC1782N-256F133HR SAK-TC1782N-256F133HL
		150	–	665	μs	SAK-TC1782F320F180HR SAK-TC1782F320F180HL SAK-TC1782N-320F180HR SAK-TC1782N-320F180HL
		150	–	740	μs	SAK-TC1782F-320F160HR SAK-TC1782F-320F160HL / S SAK-TC1782N-320F160HR SAK-TC1782N-320F160HL
Power on Reset Boot Time ³⁾⁴⁾	t_{BP} CC	–	–	2.5	ms	
HWCFG pins hold time from ESR0 rising edge	t_{HDH} SR	16 / f_{FPI}	–	–	ns	
HWCFG pins setup time to ESR0 rising edge	t_{HDS} CC	0	–	–	ns	
Ports inactive after ESR0 reset active	t_{PI} CC	–	–	8 / f_{FPI}	ns	
Ports inactive after PORST reset active ⁵⁾	t_{PIP} CC	–	–	150	ns	

Electrical Parameters AC Parameters

Table 33 Reset Timings Parameters (cont'd)

Parameter	Symbol	Values			Unit	Note / Test Condition
		Min.	Typ.	Max.		
Minimum PORST active time after power supplies are stable at operating levels	t_{POA} CC	10	–	–	ms	
$\overline{TESTMODE}$ / \overline{TRST} hold time from PORST rising edge	t_{POH} SR	100	–	–	ns	
PORST rise time	t_{POR} SR	–	–	50	ms	
$\overline{TESTMODE}$ / \overline{TRST} setup time to PORST rising edge	t_{POS} SR	0	–	–	ns	

- 1) The duration of the boot time is defined between the rising edge of the internal application reset and the clock cycle when the first user instruction has entered the CPU pipeline and its processing starts.
- 2) The given time includes the time of the internal reset extension for a configured value of SCU_RSTCNTCON.RELSA = 0x05BE.
- 3) The duration of the boot time is defined between the rising edge of the \overline{PORST} and the clock cycle when the first user instruction has entered the CPU pipeline and its processing starts.
- 4) The given time includes the internal reset extension time for the System and Application Reset which is visible through ESR0.
- 5) This parameter includes the delay of the analog spike filter in the \overline{PORST} pad.

Electrical Parameters AC Parameters

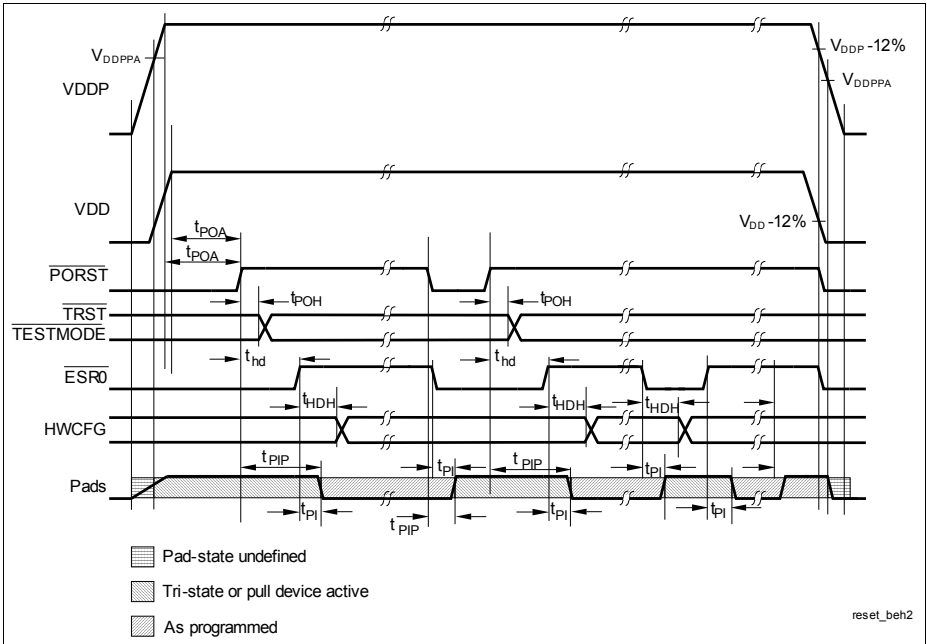


Figure 15 Power, Pad and Reset Timing

5.3.4 Phase Locked Loop (PLL)

Table 34 PLL_SysClk Parameters

Parameter	Symbol	Values			Unit	Note / Test Condition
		Min.	Typ.	Max.		
Accumulated Jitter	D_p CC	-7	–	7	ns	
PLL base frequency	$f_{PLLBASE}$ CC	50	200	320	MHz	
VCO input frequency	f_{REF} CC	8	–	16	MHz	
VCO frequency range	f_{VCO} CC	400	–	720	MHz	
PLL lock-in time	t_L CC	14	–	200	μ s	$N > 32$
		14	–	400	μ s	$N \leq 32$

Phase Locked Loop Operation

When PLL operation is enabled and configured, the PLL clock f_{VCO} (and with it the LMB-Bus clock f_{LMB}) is constantly adjusted to the selected frequency. The PLL is constantly adjusting its output frequency to correspond to the input frequency (from crystal or clock source), resulting in an accumulated jitter that is limited. This means that the relative deviation for periods of more than one clock cycle is lower than for a single clock cycle.

This is especially important for bus cycles using wait states and for the operation of timers, serial interfaces, etc. For all slower operations and longer periods (e.g. pulse train generation or measurement, lower baudrates, etc.) the deviation caused by the PLL jitter is negligible.

Two formulas are defined for the (absolute) approximate maximum value of jitter D_m in [ns] dependent on the $K2$ -factor, the LMB clock frequency f_{LMB} in [MHz], and the number m of consecutive f_{LMB} clock periods.

$$\text{for } (K2 \leq 100) \quad \text{and} \quad (m \leq (f_{LMB}[\text{MHz}]) / 2)$$

$$|D_m[\text{ns}]| = \left(\frac{740}{K2 \times f_{LMB}[\text{MHz}]} + 5 \right) \times \left(\frac{(1 - 0,01 \times K2) \times (m - 1)}{0,5 \times f_{LMB}[\text{MHz}] - 1} + 0,01 \times K2 \right) \quad (6)$$

$$\text{else} \quad |D_m[\text{ns}]| = \frac{740}{K2 \times f_{LMB}[\text{MHz}]} + 5 \quad (7)$$

With rising number m of clock cycles the maximum jitter increases linearly up to a value of m that is defined by the $K2$ -factor of the PLL. Beyond this value of m the maximum

Electrical Parameters AC Parameters

accumulated jitter remains at a constant value. Further, a lower LMB-Bus clock frequency f_{LMB} results in a higher absolute maximum jitter value.

Note: The specified PLL jitter values are valid if the capacitive load per pin does not exceed $C_L = 20$ pF with the maximum driver and sharp edge.

Note: The maximum peak-to-peak noise on the pad supply voltage, measured between V_{DDOSC3} and V_{SSOSC} , is limited to a peak-to-peak voltage of $V_{PP} = 100$ mV for noise frequencies below 300 KHz and $V_{PP} = 40$ mV for noise frequencies above 300 KHz.

The maximum peak-to-peak noise on the pad supply voltage, measured between V_{DDOSC} and V_{SSOSC} , is limited to a peak-to-peak voltage of $V_{PP} = 100$ mV for noise frequencies below 300 KHz and $V_{PP} = 40$ mV for noise frequencies above 300 KHz.

These conditions can be achieved by appropriate blocking of the supply voltage as near as possible to the supply pins and using PCB supply and ground planes.

Oscillator Watchdog (OSC_WDT)

The expected input frequency is selected via the bit field SCU_OSCCON.OSCVAL. The OSC_WDT checks for too low frequencies and for too high frequencies.

The frequency that is monitored is f_{OSCREF} which is derived for f_{OSC} .

(8)

$$f_{OSCREF} = \frac{f_{OSC}}{OSCVAL + 1}$$

The divider value SCU_OSCCON.OSCVAL has to be selected in a way that f_{OSCREF} is 2.5 MHz.

Note: f_{OSCREF} has to be within the range of 2 MHz to 3 MHz and should be as close as possible to 2.5 MHz.

The monitored frequency is too low if it is below 1.25 MHz and too high if it is above 7.5 MHz. This leads to the following two conditions:

- Too low: $f_{OSC} < 1.25 \text{ MHz} \times (\text{SCU_OSCCON.OSCVAL} + 1)$
- Too high: $f_{OSC} > 7.5 \text{ MHz} \times (\text{SCU_OSCCON.OSCVAL} + 1)$

Note: The accuracy is 30% for these boundaries.

5.3.5 ERAY Phase Locked Loop (ERAY_PLL)

Table 35 PLL_ERAY Parameters

Parameter	Symbol	Values			Unit	Note / Test Condition
		Min.	Typ.	Max.		
Accumulated jitter at SYSCLK pin	D_{PP} CC	-0.8	–	0.8	ns	
Accumulated_Jitter	D_p CC	-0.5	–	0.5	ns	
PLL Base Frequency of the ERAY PLL	$f_{PLLBASE_ERAY}$ CC	50	250	360	MHz	
VCO input frequency of the ERAY PLL	f_{REF} CC	20	–	40	MHz	
VCO frequency range of the ERAY PLL	f_{VCO_ERA} CC	450	–	500	MHz	
PLL lock-in time	t_L CC	5.6	–	200	μs	

Note: The specified PLL jitter values are valid if the capacitive load per pin does not exceed $C_L = 20$ pF with the maximum driver and sharp edge.

Note: The maximum peak-to-peak noise on the pad supply voltage, measured between V_{DDOSC3} and V_{SSOSC} , is limited to a peak-to-peak voltage of $V_{PP} = 100$ mV for noise frequencies below 300 KHz and $V_{PP} = 40$ mV for noise frequencies above 300 KHz.

These conditions can be achieved by appropriate blocking of the supply voltage as near as possible to the supply pins and using PCB supply and ground planes.

5.3.6 JTAG Interface Timing

The following parameters are applicable for communication through the JTAG debug interface. The JTAG module is fully compliant with IEEE1149.1-2000.

Note: These parameters are not subject to production test but verified by design and/or characterization.

**Table 36 JTAG Interface Timing Parameters
(Operating Conditions apply)**

Parameter	Symbol	Values			Unit	Note / Test Condition
		Min.	Typ.	Max.		
TCK clock period	t_1 SR	25	–	–	ns	–
TCK high time	t_2 SR	10	–	–	ns	–
TCK low time	t_3 SR	10	–	–	ns	–
TCK clock rise time	t_4 SR	–	–	4	ns	–
TCK clock fall time	t_5 SR	–	–	4	ns	–
TDI/TMS setup to TCK rising edge	t_6 SR	6	–	–	ns	–
TDI/TMS hold after TCK rising edge	t_7 SR	6	–	–	ns	–
TDO valid after TCK falling edge ¹⁾ (propagation delay)	t_8 CC	–	–	13	ns	$C_L = 50$ pF
	t_8 CC	3	–	–	ns	$C_L = 20$ pF
TDO hold after TCK falling edge ¹⁾	t_{18} CC	2	–	–	ns	
TDO high imped. to valid from TCK falling edge ¹⁾²⁾	t_9 CC	–	–	14	ns	$C_L = 50$ pF
TDO valid to high imped. from TCK falling edge ¹⁾	t_{10} CC	–	–	13.5	ns	$C_L = 50$ pF

1) The falling edge on TCK is used to generate the TDO timing.

2) The setup time for TDO is given implicitly by the TCK cycle time.

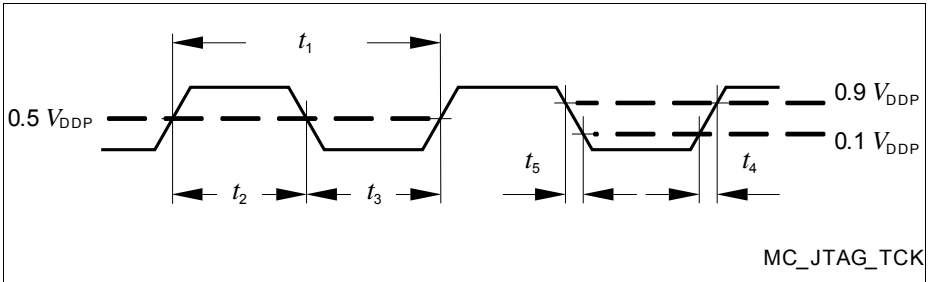


Figure 16 Test Clock Timing (TCK)

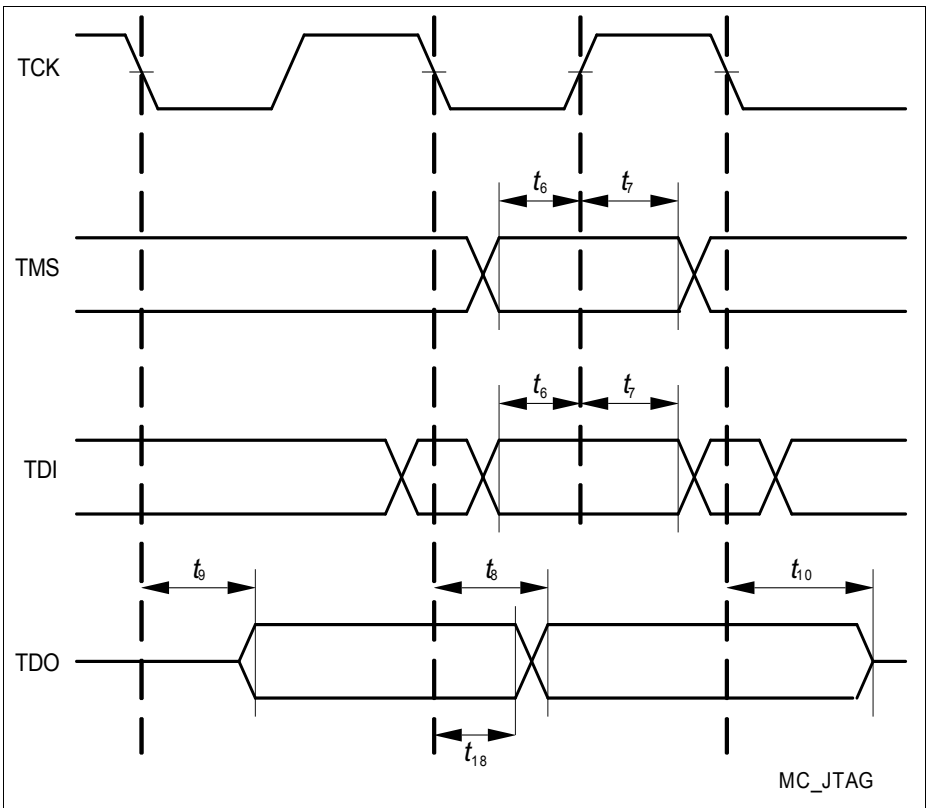


Figure 17 JTAG Timing

5.3.7 DAP Interface Timing

The following parameters are applicable for communication through the DAP debug interface.

Note: These parameters are not subject to production test but verified by design and/or characterization.

Table 37 DAP Parameters

Parameter	Symbol	Values			Unit	Note / Test Condition
		Min.	Typ.	Max.		
DAP0 clock period ¹⁾	t_{TCK} SR	12.5	–	–	ns	
DAP0 high time	t_{12} SR	4	–	–	ns	
DAP0 low time ¹⁾	t_{13} SR	4	–	–	ns	
DAP0 clock rise time	t_{14} SR	–	–	2	ns	
DAP0 clock fall time	t_{15} SR	–	–	2	ns	
DAP1 setup to DAP0 rising edge	t_{16} SR	6.0	–	–	ns	
DAP1 hold after DAP0 rising edge	t_{17} SR	6.0	–	–	ns	
DAP1 valid per DAP0 clock period ²⁾	t_{19} CC	8	–	–	ns	$C_L = 20$ pF; $f = 80$ MHz
		10	–	–	ns	$C_L = 50$ pF; $f = 40$ MHz

1) See the DAP chapter for clock rate restrictions in the Active:IDLE protocol state.

2) The Host has to find a suitable sampling point by analyzing the sync telegram response.

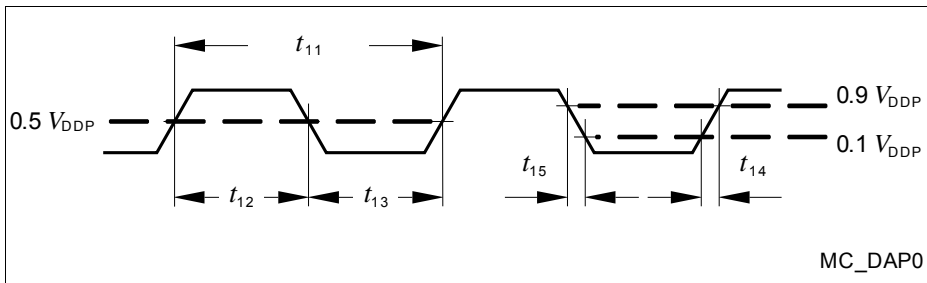


Figure 18 Test Clock Timing (DAP0)

Electrical Parameters AC Parameters

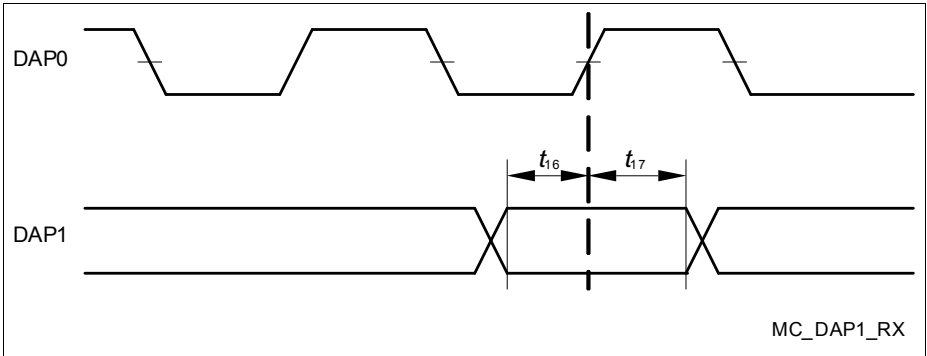


Figure 19 DAP Timing Host to Device

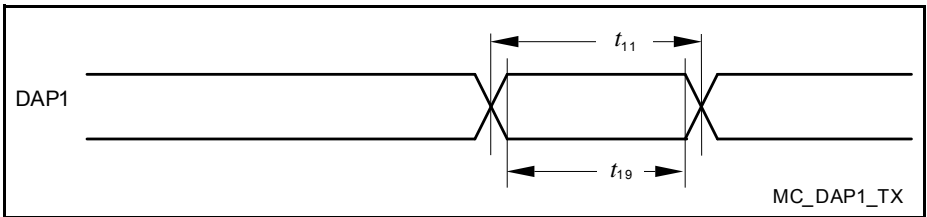


Figure 20 DAP Timing Device to Host

5.3.8 Peripheral Timings

Note: Peripheral timing parameters are not subject to production test. They are verified by design/characterization.

5.3.8.1 Micro Link Interface (MLI) Timing

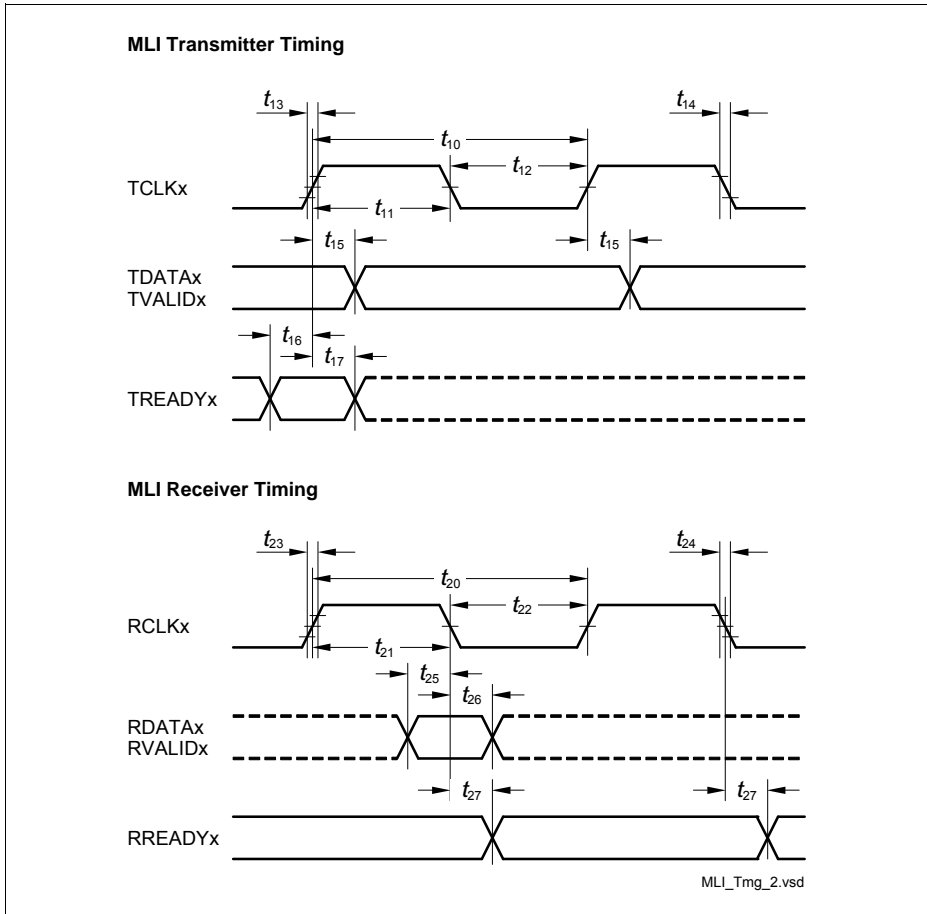


Figure 21 MLI Interface Timing

Note: The generation of RREADYx is in the input clock domain of the receiver. The reception of TREADYx is asynchronous to TCLKx.

Electrical Parameters AC Parameters

The MLI parameters are valid for $C_L = 50$ pF and for strong driver medium edge.

Table 38 MLI Receiver

Parameter	Symbol	Values			Unit	Note / Test Condition
		Min.	Typ.	Max.		
RCLK clock period	t_{20} SR	$1 / f_{FPI}$	–	–	ns	
RCLK high time ¹⁾²⁾	t_{21} SR	–	0.5 x t_{20}	–	ns	
RCLK low time ¹⁾²⁾	t_{22} SR	–	0.5 x t_{20}	–	ns	
RCLK rise time ³⁾	t_{23} SR	–	–	4	ns	
RCLK fall time ³⁾	t_{24} SR	–	–	4	ns	
RDATA/RVALID setup time before RCLK falling edge	t_{25} SR	4.2	–	–	ns	
RDATA/RVALID hold time after RCLK falling edge	t_{26} CC	2.2	–	–	ns	
RREADY output delay time	t_{27} CC	0	–	16	ns	

1) The following formula is valid: $t_{21} + t_{22} = t_{20}$.

2) Min and Max values for this parameter can be derived from the typ. value by considering the other receiver timing parameters.

3) The RCLK max. input rise/fall times are best case parameters for $f_{SYS} = 90$ MHz. For reduction of EMI, slower input signal rise/fall times can be used for longer RCLK clock periods.

Table 39 MLI Transmitter

Parameter	Symbol	Values			Unit	Note / Test Condition
		Min.	Typ.	Max.		
TCLK clock period	t_{10} CC	$2 \times 1 / f_{FPI}$	–	–	ns	
TCLK high time ¹⁾²⁾	t_{11} CC	0.45 x t_{10}	0.5 x t_{10}	0.55 x t_{10}	ns	
TCLK low time ¹⁾²⁾	t_{12} CC	0.45 x t_{10}	0.5 x t_{10}	0.55 x t_{10}	ns	
TCLK rise time	t_{13} CC	–	–	0.3 x t_{10} ³⁾	ns	

Electrical Parameters AC Parameters

Table 39 MLI Transmitter (cont'd)

Parameter	Symbol	Values			Unit	Note / Test Condition
		Min.	Typ.	Max.		
TCLK fall time	t_{14} CC	–	–	$0.3 \times t_{10}^{3)}$	ns	
TDATA/TVALID output delay time	t_{15} CC	-3	–	4.4	ns	
TREADY setup time before TCLK rising edge	t_{16} SR	18	–	–	ns	
TREADY hold time after TCLK rising edge	t_{17} SR	-2	–	–	ns	

1) The following formula is valid: $t_{11} + t_{12} = t_{10}$.

2) The min./max. TCLK low/high times t_{11}/t_{12} include the PLL jitter of fSYS. Fractional divider settings must be regarded additionally to t_{11} / t_{12} .

3) For high-speed MLI interface, strong driver sharp or medium edge selection (class A2 pad) is recommended for TCLK.

5.3.8.2 Micro Second Channel (MSC) Interface Timing

The MSC parameters are valid for $C_L = 50$ pF.

Table 40 MSC Parameters

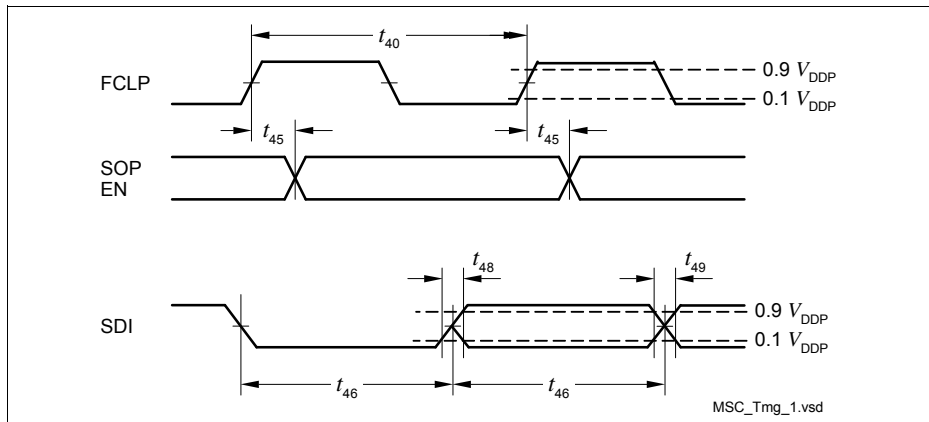
Parameter	Symbol	Values			Unit	Note / Test Condition
		Min.	Typ.	Max.		
FCLP clock period ¹⁾²⁾	t_{40} CC	$2 \times T_{MSC}^{3)}$	–	–	ns	
SOP ⁴⁾ /ENx outputs delay from FCLP ⁴⁾ rising edge	t_{45} CC	-2	–	5	ns	ENx with strong driver and sharp (minus) edge
		-2	–	10	ns	ENx with strong driver and medium (minus) edge
		0	–	21	ns	ENx with strong driver and soft edge

Electrical Parameters AC Parameters

Table 40 MSC Parameters (cont'd)

Parameter	Symbol	Values			Unit	Note / Test Condition
		Min.	Typ.	Max.		
SDI bit time	t_{46} CC	$8 \times T_{MSC}$	—	—	ns	
SDI rise time ⁵⁾	t_{48} SR	—	—	200	ns	
SDI fall time ⁵⁾	t_{49} SR	—	—	200	ns	

- 1) FCLP signal rise/fall times are only defined by the pad rise/fall times.
- 2) FCLP signal high and low can be minimum $1 \times T_{MSC}$
- 3) $T_{MSC} = T_{SYS} = 1 / f_{SYS}$.
- 4) SOP / FCLP either propagated by LVDS or by CMOS strong driver and non soft edge.
- 5) When using slow and asymmetrical edges, like in case of open drain upstream connection, the application must take care that the bit is long enough (the baud rate is low enough) so that under worst case conditions the three sampling points in the middle of the bit are not violated.


Figure 22 MSC Interface Timing

Note: The data at SOP should be sampled with the falling edge of FCLP in the target device.

5.3.8.3 SSC Master/Slave Mode Timing

The SSC parameters are valid for $C_L = 50$ pF and for strong driver medium edge.

Table 41 SSC Parameters

Parameter	Symbol	Values			Unit	Note / Test Condition
		Min.	Typ.	Max.		
SCLK clock period ¹⁾²⁾³⁾	t_{50} CC	$2 \times 1 / f_{FPI}$	–	–	ns	
MSTR/SLSOx delay from SCLK rising edge	t_{51} CC	0	–	8	ns	
MRST setup to SCLK falling edge ³⁾	t_{52} SR	16.5	–	–	ns	
MRST hold from SCLK falling edge ³⁾	t_{53} SR	0	–	–	ns	
SCLK input clock period ¹⁾³⁾	t_{54} SR	$4 \times 1 / f_{FPI}$	–	–	ns	
SCLK input clock duty cycle	t_{55} - t_{54} SR	45	–	55	%	
MSTR setup to SCLK latching edge ³⁾⁴⁾	t_{56} CC	$1 / f_{FPI}$	–	–	ns	
MSTR hold from SCLK latching edge	t_{57} CC	$1 / f_{FPI} + 5$	–	–	ns	
SLSI setup to first SCLK latching edge	t_{58} CC	$1 / f_{FPI} + 5$	–	–	ns	
SLSI hold from last SCLK latching edge ⁵⁾	t_{59} CC	7	–	–	ns	
MRST delay from SCLK shift edge	t_{60} CC	0	–	16.5	ns	
SLSI to valid data on MRST	t_{61} CC	–	–	16.5	ns	

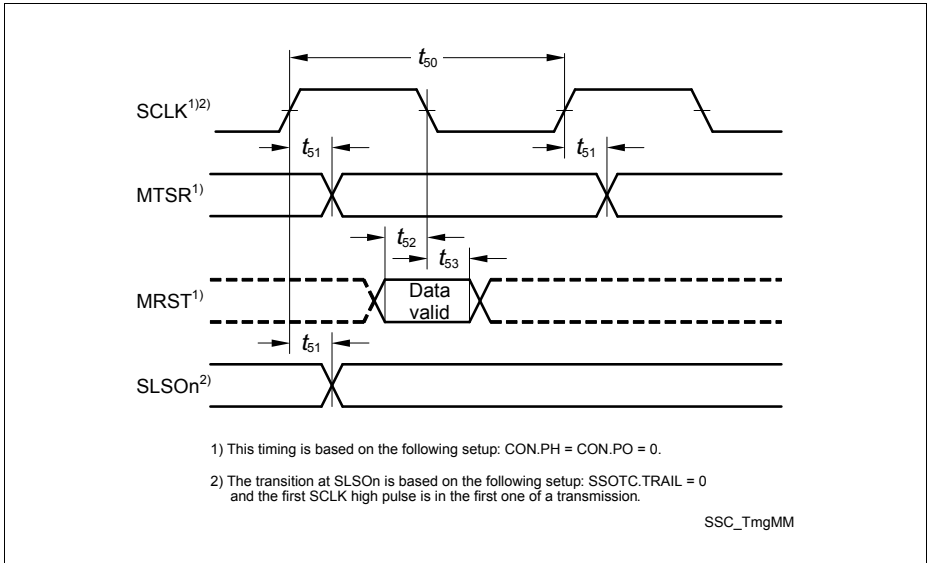
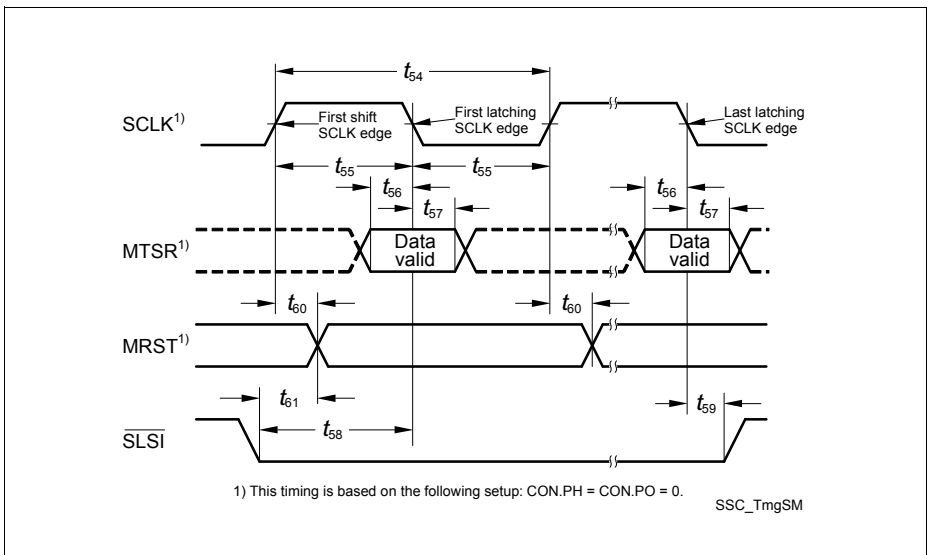
1) SCLK signal rise/fall times are the same as the rise/fall times of the pad.

2) SCLK signal high and low times can be minimum $1 \times T_{SSC}$.

3) $T_{SSCmin} = T_{SYS} = 1/f_{SYS}$.

4) Fractional divider switched off, SSC internal baud rate generation used.

5) For CON.PH=1 slave select must not be removed before the following shifting edge. This means, that whatever is configured (shifting / latching first), SLSI must not be de-activated before the last trailing edge from the pair of shifting / latching edges.


Figure 23 SSC Master Mode Timing

Figure 24 SSC Slave Mode Timing

5.3.8.4 ERAY Interface Timing

The timings of this section are valid for the strong driver and either sharp edge or medium edge settings of the output drivers with $C_L = 25$ pF.

The ERAY interface is only available for the SAK-TC1782F-320F180HR / SAK-TC1782F-320F180HL / SAK-TC1782F-320F160HR / SAK-TC1782F-320F160HL / SAK-TC1782F-320F133HR / SAK-TC1782F-320F133HL.

Table 42 ERAY Parameters

Parameter	Symbol	Values			Unit	Note / Test Condition
		Min.	Typ.	Max.		
Time span from last BSS to FES without the influence of quartz tolerancies (d10Bit_TX) ¹⁾	t_{60} CC	997.75	–	1002.25	ns	
TxD data valid from fsample flip flop txd_reg TxDA, TxDB (dTxAsym) ²⁾³⁾	t_{61} - t_{62} CC	–	–	1.5	ns	Asymmetrical delay of rising and falling edge (TxDA, TxDB)
Time span between last BSS and FES without influence of quartz tolerancies (d10Bit_RX) ¹⁾⁴⁾⁵⁾	t_{63} SR	966	–	1046.1	ns	
RxD capture by fsample (RxDA/RxDB sampling flip-flop) (dRxAsym) ⁵⁾	t_{64} - t_{65} CC	–	–	3.0	ns	Asymmetrical delay of rising and falling edge (RxDA, RxDB)
TxD data delay from sampling flip-flop	$dTxdly$ CC	–	–	10.0	ns	Px_PDR.PDy = 000 _B
		–	–	15.0	ns	Px_PDR.PDy = 001 _B
RxD capture delay by sampling flip-flop	$dRxdly$ CC	–	–	10.0	ns	

1) This includes the PLL_ERAY accumulated jitter.

2) Refers to delays caused by the asymmetries of the output drivers of the digital logic and the GPIO pad drivers. Quartz tolerance and PLL_ERAY accumulated jitter are not included.

3) E-Ray TxD output drivers have an asymmetry of rising and falling edges of $|t_{FA2} - t_{RA2}| \leq 1$ ns.

4) Limits of 966ns and 1046.1ns correspond to (30%, 70%) * V_{DDP} FlexRay standard input thresholds. For input thresholds of this product, a correction of - 0.5 ns and +0.1 ns has to be applied.

Electrical Parameters AC Parameters

- 5) Valid for output slopes of the bus driver of $dRxSlope \leq 5ns$, $20\% * V_{DDP}$ to $80\% * V_{DDP}$, according to the FlexRay Electrical Physical Layer Specification V2.1B. For A2 pads, the rise and fall times of the incoming signal have to satisfy the following inequality: $-1.6ns \leq t_{FA2} - t_{RA2} \leq 1.3ns$.

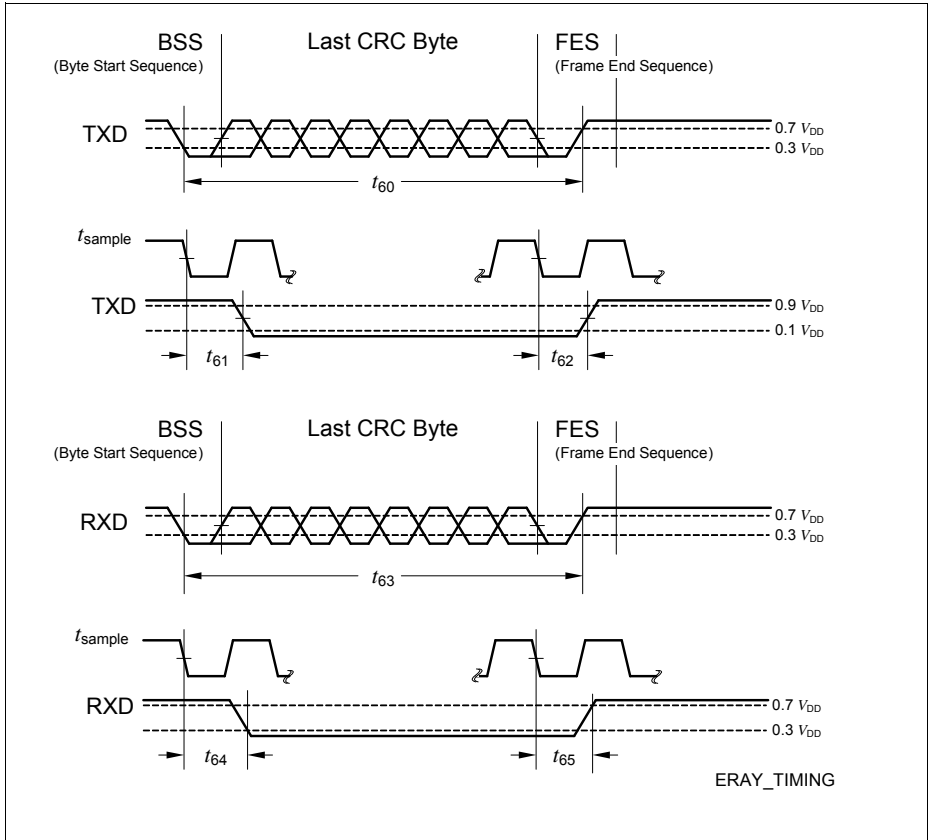


Figure 25 ERAY Timing

5.4 Package and Reliability

5.4.1 Package Parameters

Table 43 Thermal Characteristics of the Package

Device	Package	$R_{\Theta JCT}$ ¹⁾	$R_{\Theta JCB}$ ¹⁾	$R_{\Theta JLead}$	Unit	Note
TC1782	PG-LQFP-176-10 / PG-LQFP-176-20	8,1	0,3	30,9	K/W	with soldered exposed pad ²⁾
TC1782	PG-LQFP-176-10 / PG-LQFP-176-20	8,1	12,6	30,9	K/W	with not soldered exposed pad

1) The top and bottom thermal resistances between the case and the ambient (R_{TCAT} , R_{TCAB}) are to be combined with the thermal resistances between the junction and the case given above (R_{TJCT} , R_{TJCB}), in order to calculate the total thermal resistance between the junction and the ambient (R_{TJA}). The thermal resistances between the case and the ambient (R_{TCAT} , R_{TCAB}) depend on the external system (PCB, case) characteristics, and are under user responsibility.

The junction temperature can be calculated using the following equation: $T_J = T_A + R_{TJA} \times P_D$, where the R_{TJA} is the total thermal resistance between the junction and the ambient. This total junction ambient resistance R_{TJA} can be obtained from the upper four partial thermal resistances.

Thermal resistances as measured by the 'cold plate method' (MIL SPEC-883 Method 1012.1).

2) It is recommended by Infineon Technologies AG to connect the exposed pad.

5.4.2 Package Outline

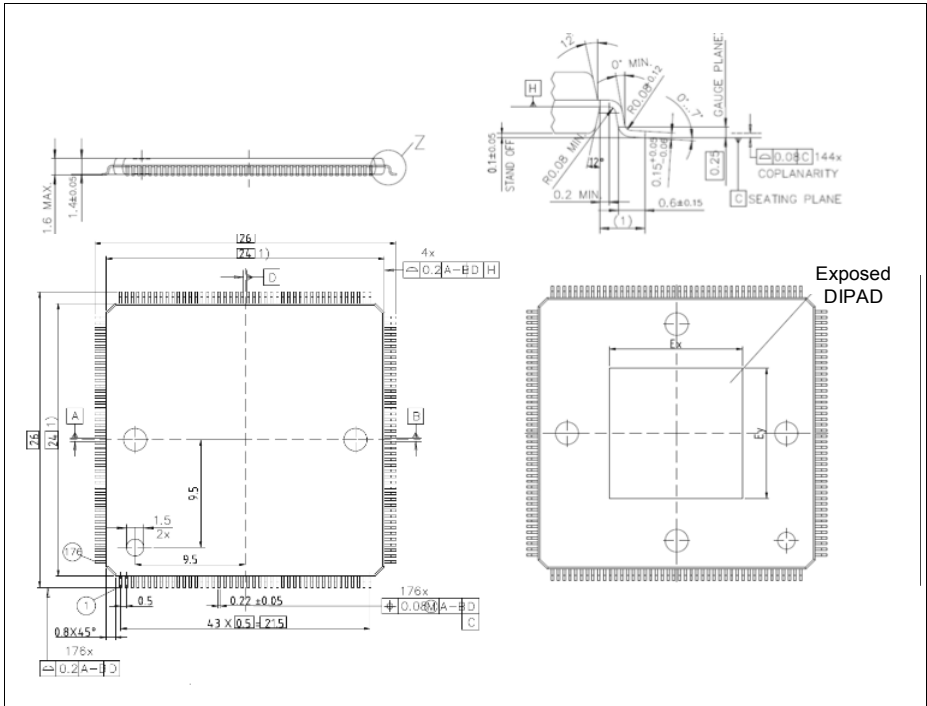


Figure 26 Package Outlines PG-LQFP-176-10 / PG-LQFP-176-20

Table 44 Exposed pad Dimensions

Ex	7.8 mm
Ey	7.8 mm

You can find all of our packages, sorts of packing and others in our Infineon Internet Page "Products": <http://www.infineon.com/products>.

5.4.3 Flash Memory Parameters

The data retention time of the TC1782's Flash memory depends on the number of times the Flash memory has been erased and programmed.

Electrical Parameters Package and Reliability

Table 45 FLASH32 Parameters

Parameter	Symbol	Values			Unit	Note / Test Condition
		Min.	Typ.	Max.		
Data Flash Erase Time per Sector	t_{ERD} CC	–	–	3 ¹⁾	s	
Program Flash Erase Time per 256 KByte Sector	t_{ERP} CC	–	–	5	s	
Program time data flash per page ²⁾	t_{PRD} CC	–	–	5.3	ms	without reprogramming
		–	–	15.9	ms	with two reprogramming cycles
Program time program flash per page ³⁾	t_{PRP} CC	–	–	5.3	ms	without reprogramming
		–	–	10.6	ms	with one reprogramming cycle
Data Flash Endurance	N_E CC	60000 ⁴⁾	–	–	cycle s	Min. data retention time 5 years
Erase suspend delay	t_{FL_ErSusp} CC	–	–	15	ms	
Wait time after margin change	$t_{FL_MarginDel}$ CC	10	–	–	μs	
Program Flash Retention Time, Physical Sector ⁵⁾⁶⁾	t_{RET} CC	20	–	–	year s	Max. 1000 erase/program cycles
Program Flash Retention Time, Logical Sector ⁵⁾⁶⁾	t_{RETL} CC	20	–	–	year s	Max. 100 erase/program cycles
UCB Retention Time ⁵⁾⁶⁾	t_{RTU} CC	20	–	–	year s	Max. 4 erase/program cycles per UCB
Wake-Up time	t_{WU} CC	–	–	270	μs	

Electrical Parameters Package and Reliability

Table 45 FLASH32 Parameters (cont'd)

Parameter	Symbol	Values			Unit	Note / Test Condition
		Min.	Typ.	Max.		
DFlash wait state configuration	WS_{DF} CC	$50\text{ ns} \times f_{FSI}$	–	–		
PFlash wait state configuration	WS_{PF} CC	$26\text{ ns} \times f_{FSI}$	–	–		

- 1) In case of wordline oriented defects (see robust EEPROM emulation in the User's Manual) this erase time can increase by up to 100%.
- 2) In case the Program Verify feature detects weak bits, these bits will be programmed up to twice more. Each reprogramming takes additional 5 ms.
- 3) In case the Program Verify feature detects weak bits, these bits will be programmed once more. The reprogramming takes additional 5 ms.
- 4) Only valid when a robust EEPROM emulation algorithm is used. For more details see the User's Manual.
- 5) Storage and inactive time included.
- 6) At average weighted junction temperature $T_j = 100^\circ\text{C}$, or the retention time at average weighted temperature of $T_j = 110^\circ\text{C}$ is minimum 10 years, or the retention time at average weighted temperature of $T_j = 150^\circ\text{C}$ is minimum 0.7 years.

5.4.4 Quality Declarations

Table 46 Quality Parameters

Parameter	Symbol	Values			Unit	Note / Test Condition
		Min.	Typ.	Max.		
Operation Lifetime ¹⁾	t_{OP}	–	–	24000	hours	– ²⁾
ESD susceptibility according to Human Body Model (HBM)	V_{HBM}	–	–	2000	V	Conforming to JESD22-A114-B
ESD susceptibility of the LVDS pins	V_{HBM1}	–	–	500	V	–
ESD susceptibility according to Charged Device Model (CDM)	V_{CDM}	–	–	500	V	Conforming to JESD22-C101-C
Moisture Sensitivity Level	MSL	–	–	3	–	Conforming to Jedec J-STD-020C for 240°C

Electrical Parameters Package and Reliability

- 1) This lifetime refers only to the time when the device is powered on.
- 2) For worst-case temperature profile equivalent to:
 - 1200 hours at $T_j = 125...150^{\circ}\text{C}$
 - 3600 hours at $T_j = 110...125^{\circ}\text{C}$
 - 7200 hours at $T_j = 100...110^{\circ}\text{C}$
 - 11000 hours at $T_j = 25...100^{\circ}\text{C}$
 - 1000 hours at $T_j = -40...25^{\circ}\text{C}$

6 History

The following changes were done between Version 0.7 and 0.8 of this document:

- Change product name from SAK-TC1782-320F180HL to SAK-TC1782-320F180HR
- Change product name from SAK-TC1782-256F133HL to SAK-TC1782-256F133HR
- Change DFLASH size from 64Kbyte to 128Kbyte in chapter 1
- Add ADC module abbreviation to table 1 Analog Input Port Function description
- Change SCU_RTID and SCU_CHIPID values to match the step
- Extend V_{DDOSC3} to -7.5 %
- Add parameter $HYSAI+$
- Add parameter $HYSAI2$
- Add parameter V_{ILF} / V_{IHF}
- Add parameter R_{DSONF}
- Changed typical value of C_{AINSW} from 7 to 9 pF
- Changed typical value of C_{AINTOT} from 25 to 20 pF
- Remove 3.3 V values from ADC section
- Add parameter f_{ADC}
- Changed max. value of f_{ADCI} from 20 to 18 MHz
- Remove parameter I_{AIN7T} (covered by R_{AIN7T})
- Replace parameter I_{AREF} by Q_{CONV}
- Changed typical value of R_{AIN} from 700 to 900 Ohm
- Add parameter t_S
- Add footnote to max value of TUE
- Add parameter f_{FADC}
- Add parameter t_C
- Add formula for DTS temperature calculation
- Adapt current values to reduced limits of BA step
- Add clarification to parameter I_{LVDS}
- Remove parameter R_{THJA} (not required)
- Add clarification to parameter t_{POH} description
- Add clarification to parameter t_{POS} description
- Add min. value to parameters t_L
- Changed typical value of $f_{PLLBASE_ERAY}$ from 200 to 250 MHz
- Add MSC t_{45} behavior for CMOS / LVDS usage
- Add R_{THS} for non soldered exposed pad
- Add table 33
- Change DTS accuracy to 6°C of the complete temperature range
- Remove limitations of the DFLASH and PFLASH operating in extended Range operating conditions
- Change package version von PG-LQFP-176-6 to PG-LQFP-176-12

The following changes were done between Version 0.8 and 1.0 of this document:

- Change package version von PG-LQFP-176-12 to PG-LQFP-176-10

- improve description in table 2 for analog channels
- add class A1+ to type list of table 2
- add clarification that table 7 defines the conditions for all other parameters
- add note the spike filter is only available for the PORST pin
- add V_{il} to V_{ih} ratio for A1+ pad
- remove irritating Note / Test Conditions
- adapt maximum power dissipation values
- add conditions for MLI, MSC, SSC, parameters
- changed definition for t13 and t14 of the MLI timing
- changed definition for t45 of the MSC timing
- add parameters dTxdly and dRxdly to ERAY parameters
- correct ERAY parameters t60 and t63 values
- correct footnotes for ERAY parameters
- split flash parameters tPRD and tPRP in two conditions
- add conditions to LVDS pad parameters
- Changed VAREF_x to VAREF0 and VAGND_x to VAGND0
- remove Pin Reliability in Overload section
- add parameters IIN and Sum IIN to absolute ratings
- adjust thresholds in figure 28 (ERAY)
- add parameter HYSX to PSC_XTAL
- added RDSON values for all driver settings (weak, medium, and strong)
- removed footnote 2 of table 6
- change conditions for RDSON weak parameters
- change load for timing of SSC, MSC, and MLI from $C_L = 25$ pF to $C_L = 50$ pF (typical)
- add type I to legend of table 2
- add SAK-TC1782-320F180HL and SAK-TC1782-256F133HL
- changed timing checkpoints in figure 23
- add section 5.2.6.1
- add to parameters t_{RF} and t_{FF} condition $C_L = 50$ pF
- add new footnote 7) to ADC parameter table
- add min and max value for Q_{CONV} and adapt typ value
- add load conditions for t_{FF1} and t_{RF1}
- add conditions to PLL parameter t_L
- change DAP parameter t_{i9} from SR to CC classification
- remove footnote 2 for the FADC
- increase current for I_{DDP_POR} from 2 to 2.5mA
- add footnote 3 to table 9
- change **SAK-TC1782-320F180HR / SAK-TC1782-320F180HL** to **SAK-TC1782F-320F180HR / SAK-TC1782F-320F180HL**
- change **SAK-TC1782-256F133HR / SAK-TC1782-256F133HL** to **SAK-TC1782F-256F133HR / SAK-TC1782F-256F133HL**
- add information for the following products:
 - **SAK-TC1782N-320F180HR**

- **SAK-TC1782N-320F180HL**
- **SAK-TC1182N-320F180HR**
- **SAK-TC1182N-320F180HL**
- **SAK-TC1782N-256F133HR**
- **SAK-TC1782N-256F133HL**
- **SAK-TC1182N-256F133HR**
- **SAK-TC1182N-156F133HL**

The following changes were done between Version 1.0 and 1.1 of this document:

- add section Pin Reliability in Overload
- remove sentence 'Exposure to conditions within the maximum ratings will not affect device reliability. To replace this sentence section Pin Reliability in Overload was added.
- increase values for absolute maximum parameters I_{IN} and $\text{Sum}I_{IN}$
- remove capacitance conditions for LVDS pad parameters as loads are defined by interface (MSC) timings
- remove term typical from load of Peripheral Timings
- add definition of driver strength settings for ERAY Interface Timing
- change footnote 4 wording for ERAY timing back to TC1797 wording
- increase flash parameters t_{PRD} and t_{PRP} values
- rework the 3.3 V current part of the Power Supply Parameters for better description and usage
 - Parameters I_{DDP_FP} , I_{DDFL3E} and I_{DDFL3R} are removed and replaced in the following way
 - I_{DDP_FP} is replaced by I_{DDP} with the condition including flash programming current
 - I_{DDFL3E} is replaced by I_{DDP} with the condition including flash erase verify current
 - I_{DDFL3R} is replaced by I_{DDP} with the condition including flash read current
 - parameter I_{DDFL3R} was renamed to I_{DDFL3}

The rework of the 3.3 V current part of the Power Supply Parameters was done for simplification and clarification. Former given values could still be used if liked, the new definition results in the same resulting values or slightly better values. The flash module is supplied via I_{DDFL3} and I_{DDP} . For the different flash operating modes in worst case different allocations for the two domains resulting.

The application typical case 'flash read' has max I_{DDP} of 12 mA and max I_{DDFL3} of 56 mA resulting is a sum of 68 mA.

The case 'flash programming' has max I_{DDP} of 27 mA and max I_{DDFL3} of 21 mA resulting is a sum of 48 mA.

The case 'flash erase verify' has max I_{DDP} of 20 mA and max I_{DDFL3} of 56 mA resulting is a sum of 76 mA.

So for the old parameter I_{DDP} with 15 mA, the new version reads as $I_{DDP} = 12 + I_{DDP_PORST} = 14.5$ mA for the same application relevant case.

The following changes were done between Version 1.1 and 1.2 of this document:

History

- removed products SAK-TC1182N-320F180HR, SAK-TC1182N-320F180HL, SAK-TC1182N-256F133HR, and SAK-TC1182N-256F133HL
- improve parameters I_{DDFL3}
- change for parameter N_E note from Max. data retention to Min.
- removed the term (typical)
- change description of parameter t_{CAL} for the ADC
- correct typo for class D pads in tables 14 and 15
- adapt Absolute Maximum Rating
- add footnote to Flash parameter t_{ERD}
- add note at the end of Pin Reliability in Overload section
- clarify pad supply levels in Pin Reliability in Overload section
- add footnote for D-Flash currents in power section

The following changes were done between Version 1.2 and 1.3 of this document:

- add product option SAK-TC1782F-320F160HL, SAK-TC1782F-320F160HR, SAK-TC1782N-320F160HL and SAK-TC1782N-320F160HR
- update block diagrams to cover new option
- add identification registers for new product option
- rework first sentence for chapter 5.3
- reduce min value for t_L for both PLLs
- add for MLI and SSC parameter: valid strong driver medium edge only
- add footnote 5) for SSC parameters
- update FADC parameter EF_{DNL}
- change MLI parameter t_{17} min value
- rename section Extended Range Operating Conditions to Voltage Operating timing Profiles and remove limitations on GPIOs
- split R_{DSONM} for class F pads into two conditions

The following changes were done between Version 1.3 and 1.3.1 of this document:

- correct typos in table 1
 - SAK-TC1782N-320N160HR -> SAK-TC1782F-320F160HR
 - SAK-TC1782N-320N160HL -> SAK-TC1782F-320F160HL
- reduce current for I_{LVDS} from 24mA to 12mA (only 2 pairs are available)

The following changes were done between Version 1.3.1 and 1.4 of this document:

- remove the following product options:
 - SAK-TC1782F-256F133HR
 - SAK-TC1782F-256F133HL
- change t_{48} from 100ns to 200ns in table 42
- change t_{49} from 100ns to 200ns in table 42
- extend K_{OVAN} condition from $I_{OV} \leq 0$ mA; $I_{OV} \geq -1$ mA to $I_{OV} \leq 0$ mA; $I_{OV} \geq -2$ mA
- change parameter EF_{OFF} from +90mV to +120 for condition Calibration = No

The following changes were done between Version 1.4 and 1.4.1 of this document:

- change parameter EF_{OFF} from +120mV to +90 for condition Calibration = No

www.infineon.com

Published by Infineon Technologies AG

Mouser Electronics

Authorized Distributor

Click to View Pricing, Inventory, Delivery & Lifecycle Information:

[Infineon:](#)

[TC1782N320F180HRBAKXUMA2](#)